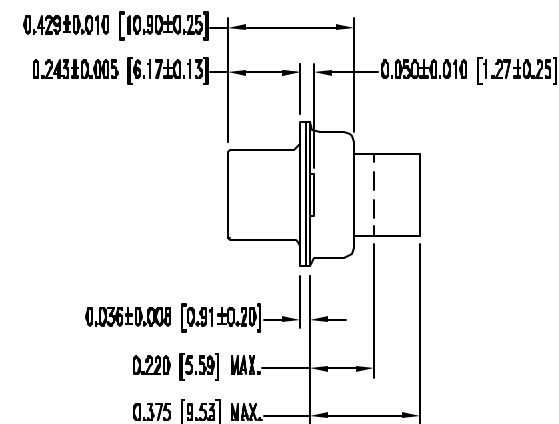
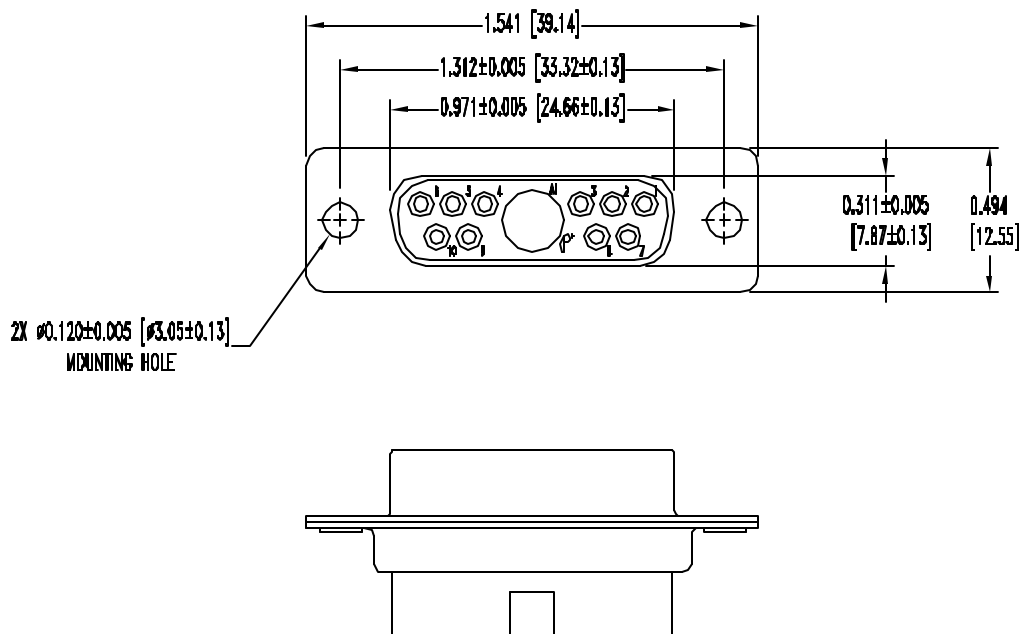


POSITRONIC INDUSTRIES BELIEVES THE DATA ON THIS DRAWING TO BE RELIABLE, SINCE THE TECHNICAL INFORMATION IS GIVEN FREE OF CHARGE, THE USER EMPLOYEES SUCH INFORMATION AT HIS OWN DISCRETION AND RISK. POSITRONIC INDUSTRIES ASSUMES NO RESPONSIBILITY FOR RESULTS OBTAINED OR DAMAGES INCURRED FROM USE OF SUCH INFORMATION IN WHOLE OR IN PART.

SK4128

DATE	REV	REVISION RECORD	APP	DR	CK
1-18-02	NC	ECO 18859		ME	



NOTES:

1. MATERIALS AND FINISHES:

INSULATOR: GLASS FILLED POLYESTER PER MIL-M-24519 UL94V-0, BLUE COLOR.
SHELLS: STEEL, ZINC PLATE WITH DICHROMATE SEAL.

2. ELECTRICAL CHARACTERISTICS:

INSULATOR RESISTANCE: 5 G OHMS.
WORKING VOLTAGE: 300 V r.m.s.

3. TEMPERATURE RANGE: -55°C TO +125°C.

4. DIMENSIONS ARE IN INCHES [MILLIMETERS].

 POSITRONIC INDUSTRIES INC. www.connectpositronic.com		SCALE	DRAWN BY
		CBC SERIES	M. ENBA
DECIMAL TOL.	TITLE	APPROVED BY	
± 0.015 [0.38]	CBC11W1F00000		
WF # 4276	DATE	DRAWING NUMBER	REV.
ANGULAR TOL.	1-18-02	SK4128	NC
± 5°			