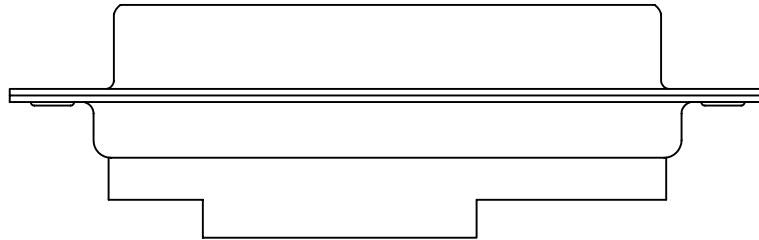
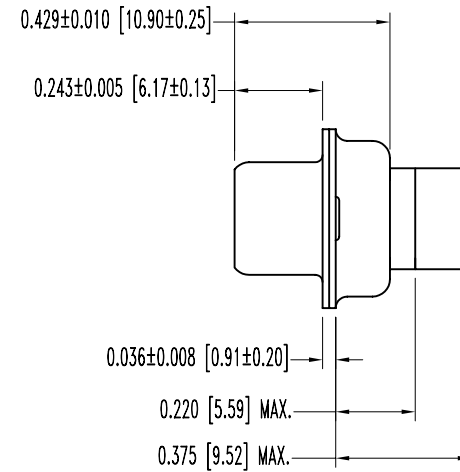
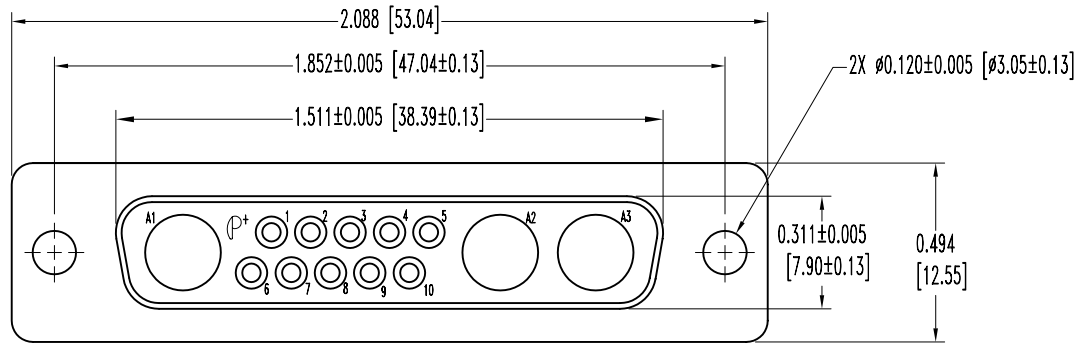


SK7652

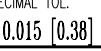
POSITRONIC INDUSTRIES BELIEVES THE DATA ON THIS DRAWING TO BE RELIABLE. SINCE THE TECHNICAL INFORMATION IS GIVEN FREE OF CHARGE, THE USER EMPLOYS SUCH INFORMATION AT HIS OWN DISCRETION AND RISK. POSITRONIC INDUSTRIES ASSUMES NO RESPONSIBILITY FOR RESULTS OBTAINED OR DAMAGES INCURRED FROM USE OF SUCH INFORMATION IN WHOLE OR IN PART.

DATE	REV	REVISION RECORD	APP	DR	CK
6-26-06	NC	ECO 26247		YK	



NOTES:

- MATERIALS AND FINISHES:  
INSULATOR: GLASS FILLED POLYESTER PER MIL-M-24519, UL 94V-0, BLUE COLOR.  
SHELLS: STEEL, WITH TIN PLATE.
- ELECTRICAL CHARACTERISTICS:  
INSULATION RESISTANCE: 5 G OHMS.  
WORKING VOLTAGE: 300 V r.m.s.
- TEMPERATURE RANGE: -55°C TO +125°C.
- CONNECTORS ARE ROHS COMPLIANT PER ROHS DIRECTIVE 2002/95/EC OF 27 JAN 2003.
- DIMENSIONS ARE IN INCHES [MILLIMETERS].

		<b>POSITRONIC INDUSTRIES INC.</b> www.connectpositronic.com	
		SCALE <b>N.T.S.</b>	DRAWN BY <b>YK</b>
DECIMAL TOL. <b>± 0.015 [0.38]</b>	<b>CBC SERIES</b>	APPROVED BY	
TITLE <b>CBC13W3F0000X/AA</b>			
ANGULAR TOL. <b>± 5°</b>	DATE <b>6-26-06</b>	DRAWING NUMBER <b>SK7652</b>	REV. <b>NC</b>