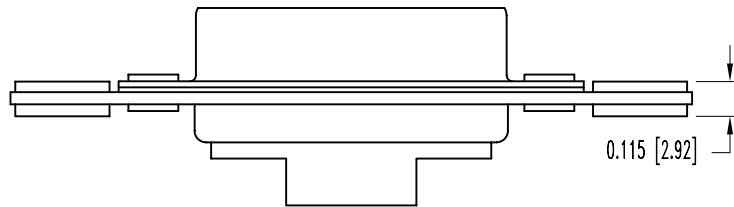
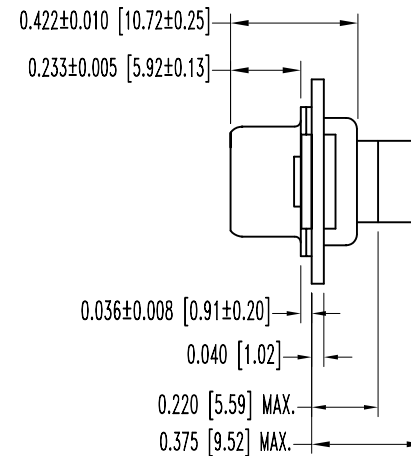
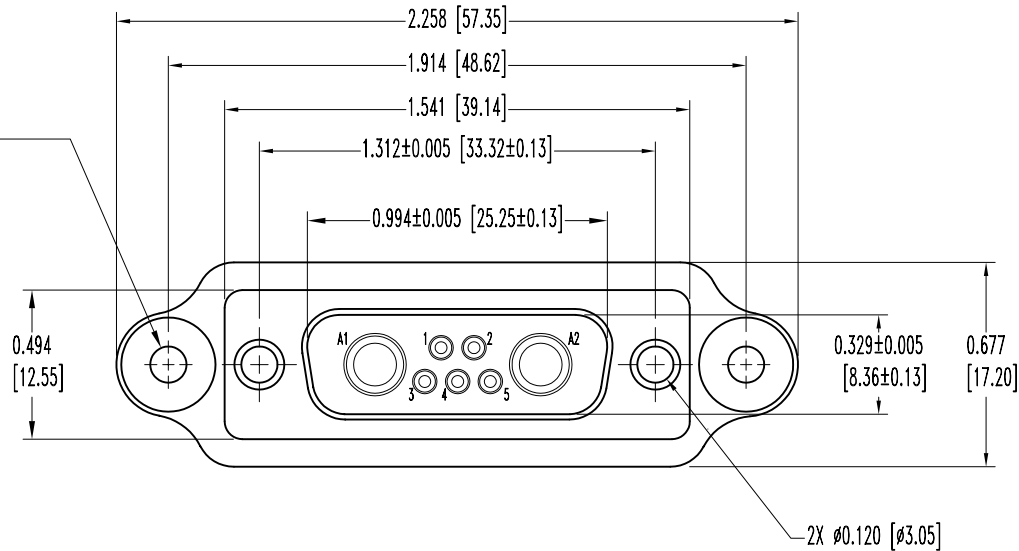


SK5238

POSITRONIC INDUSTRIES BELIEVES THE DATA ON THIS DRAWING TO BE RELIABLE. SINCE THE TECHNICAL INFORMATION IS GIVEN FREE OF CHARGE, THE USER EMPLOYS SUCH INFORMATION AT HIS OWN DISCRETION AND RISK. POSITRONIC INDUSTRIES ASSUMES NO RESPONSIBILITY FOR RESULTS OBTAINED OR DAMAGES INCURRED FROM USE OF SUCH INFORMATION IN WHOLE OR IN PART.

DATE	REV	REVISION RECORD	APP	DR	CK
12-2-03	NC	ECO 21758		ME	

2X $\phi 0.120$ [$\phi 3.05$]
 0.033 [0.84] TOTAL
 DIAMETER FLOAT
 0.010 [0.25] TOTAL
 AXIAL FLOAT



NOTES:

- MATERIALS AND FINISHES:
 INSULATOR: GLASS FILLED POLYESTER PER MIL-M-24519 UL94V-0, BLUE COLOR.
 SHELLS: STEEL, ZINC PLATE WITH DICHROMATE SEAL.
 MOUNTING PLATE: ALUMINUM, YELLOW ANODIZED.
- ELECTRICAL CHARACTERISTICS:
 INSULATOR RESISTANCE: 5 G OHMS.
 WORKING VOLTAGE: 300 V r.m.s.
- MOS 759.1 ALLOWS FOR BLIND MATE MOUNTING PLATE TO BE INSTALLED.
- TEMPERATURE RANGE: -55°C TO +125°C.
- DIMENSIONS ARE IN INCHES [MILLIMETERS].

	POSITRONIC INDUSTRIES INC. www.connectpositronic.com		SCALE	DRAWN BY
	CBC SERIES		N.T.S.	M. ENEA
DECIMAL TOL. ± 0.015 [0.38]	TITLE CBC7W2M00000-759.1			
ANGULAR TOL. ± 5°	DATE 12-2-03	DRAWING NUMBER SK5238	REV. NC	