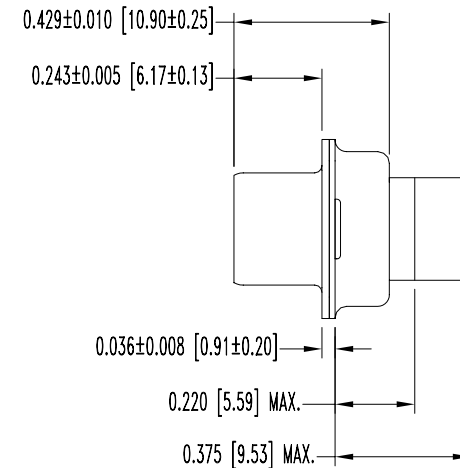
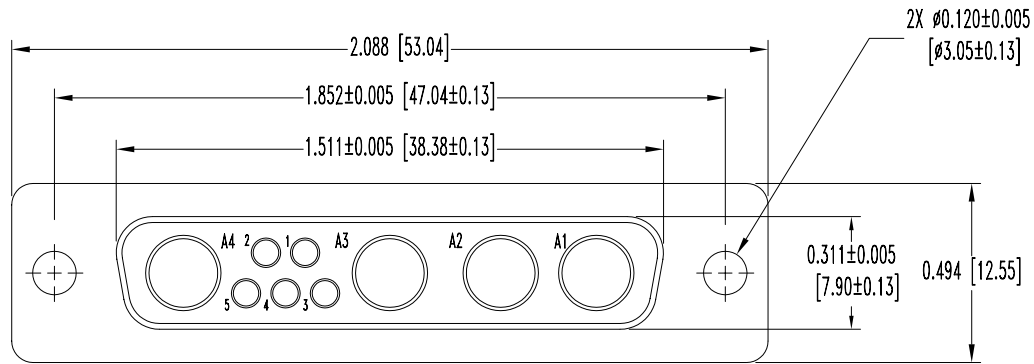


SK8671

POSITRONIC INDUSTRIES BELIEVES THE DATA ON THIS DRAWING TO BE RELIABLE. SINCE THE TECHNICAL INFORMATION IS GIVEN FREE OF CHARGE, THE USER EMPLOYS SUCH INFORMATION AT HIS OWN DISCRETION AND RISK. POSITRONIC INDUSTRIES ASSUMES NO RESPONSIBILITY FOR RESULTS OBTAINED OR DAMAGES INCURRED FROM USE OF SUCH INFORMATION IN WHOLE OR IN PART.

DATE	REV	REVISION RECORD	APP	DR	CK
6-21-07	NC	ECO 28073	TK	YK	TK
7-12-07	A	ECO 28161		YK	



NOTES:

- MATERIALS AND FINISHES:
INSULATOR: GLASS FILLED POLYESTER PER MIL-M-24519 UL94V-0, BLUE COLOR.
SHELLS: STEEL, ZINC PLATE WITH CHROMATE SEAL.
- ELECTRICAL CHARACTERISTICS:
INSULATOR RESISTANCE: 5 G OHMS.
WORKING VOLTAGE: 300 V r.m.s.
- TEMPERATURE RANGE: -55°C TO +125°C.
- DIMENSIONS ARE IN INCHES [MILLIMETERS].

	POSITRONIC INDUSTRIES INC. www.connectpositronic.com		FSCM 28198
		SCALE N.T.S.	DRAWN BY YK
DECIMAL TOL. ± 0.015 [0.38]	TITLE CBC SERIES	APPROVED BY T.KEPLEY	
	CBC9W4F00000		
ANGULAR TOL. ± 5°	DATE 6-21-07	DRAWING NUMBER SK8671	REV. A