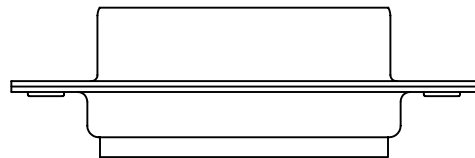
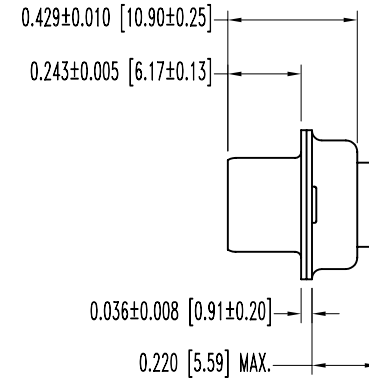
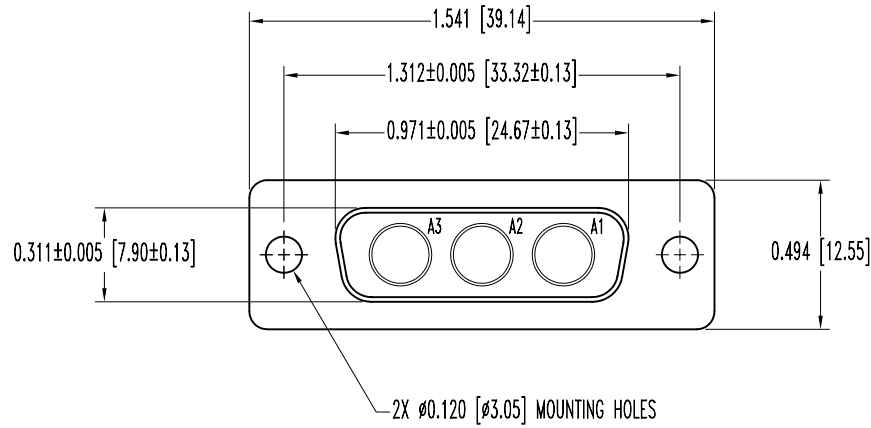


SK6273

POSITRONIC INDUSTRIES BELIEVES THE DATA ON THIS DRAWING TO BE RELIABLE. SINCE THE TECHNICAL INFORMATION IS GIVEN FREE OF CHARGE, THE USER EMPLOYS SUCH INFORMATION AT HIS OWN DISCRETION AND RISK. POSITRONIC INDUSTRIES ASSUMES NO RESPONSIBILITY FOR RESULTS OBTAINED OR DAMAGES INCURRED FROM USE OF SUCH INFORMATION IN WHOLE OR IN PART.

| DATE    | REV | REVISION RECORD | APP | DR | CK |
|---------|-----|-----------------|-----|----|----|
| 6-22-05 | NC  | ECO 24259       |     | YK |    |
|         |     |                 |     |    |    |
|         |     |                 |     |    |    |



NOTES:

- MATERIALS AND FINISHES:  
INSULATOR: GLASS FILLED POLYESTER PER MIL-M-24519, UL 94V-0, BLUE COLOR.  
SHELLS: STEEL, TIN PLATE.
- ELECTRICAL CHARACTERISTICS:  
INSULATOR RESISTANCE: 5 G OHMS.  
WORKING VOLTAGE: 300 V r.m.s.  
TEMPERATURE RANGE: -55°C TO +125°C.
- CONNECTORS ARE ROHS COMPLIANT PER ROHS DIRECTIVE 2002/95/EC OF 27 JAN 2003.
- DIMENSIONS ARE IN INCHES [MILLIMETERS].

|                                |  |                          |             |          |
|--------------------------------|--|--------------------------|-------------|----------|
|                                | <b>POSITRONIC INDUSTRIES INC.</b><br>www.connectpositronic.com |                          | SCALE       | DRAWN BY |
|                                | CBD SERIES   |                          | N.T.S.      | YK       |
| DECIMAL TOL.<br>± 0.015 [0.38] | TITLE<br>CBD3W3F0000X/AA                                       |                          | APPROVED BY |          |
| ANGULAR TOL.<br>± 5°           | DATE<br>6-22-05  | DRAWING NUMBER<br>SK6273 | REV.<br>NC  |          |