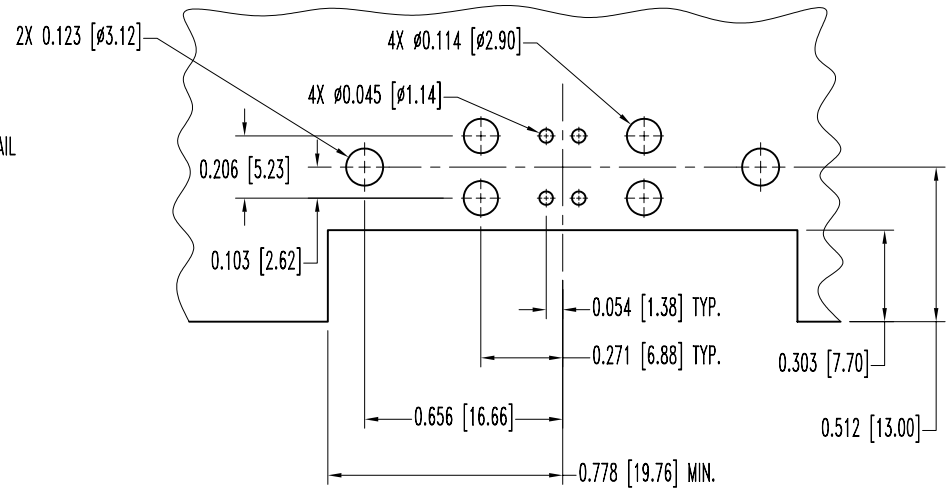
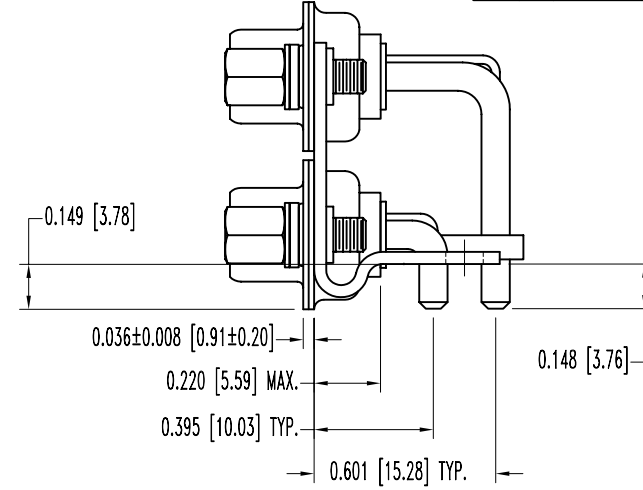
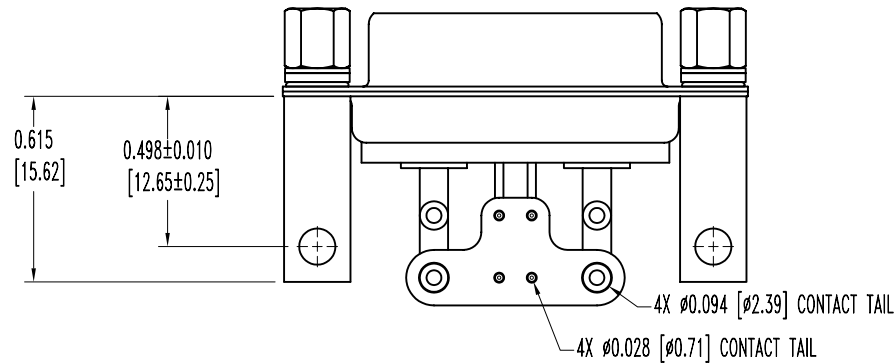
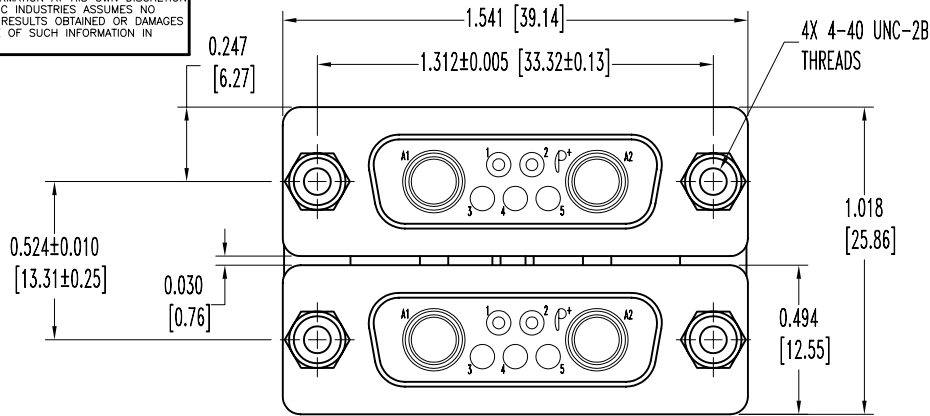


SK7769

POSITRONIC INDUSTRIES BELIEVES THE DATA ON THIS DRAWING TO BE RELIABLE, SINCE THE TECHNICAL INFORMATION IS GIVEN FREE OF CHARGE, THE USER EMPLOYS SUCH INFORMATION AT HIS OWN DISCRETION AND RISK. POSITRONIC INDUSTRIES ASSUMES NO RESPONSIBILITY FOR RESULTS OBTAINED OR DAMAGES INCURRED FROM USE OF SUCH INFORMATION IN WHOLE OR IN PART.

DATE	REV	REVISION RECORD	APP	DR	CK
7-14-06	NC	ECO 26365	RCW	YK	COLE
7-28-06	A	ECO 26413	TK	ME	COLE
8-3-06	B	ECO 26448		YK	



CONTACT HOLE PATTERN

NOTES:

- MATERIALS AND FINISHES:
 INSULATORS: GLASS FILLED POLYESTER PER MIL-W-24519, UL 94V-0, BLUE COLOR.
 CONTACTS: PRECISION MACHINED COPPER ALLOY, 0.000030 [0.76µ] GOLD OVER NICKEL PLATE.
 SHELLS: STEEL WITH ZINC PLATE WITH CHROMATE SEAL.
 MOUNTING BRACKETS: BRASS WITH ZINC PLATE WITH CHROMATE SEAL.
- ELECTRICAL CHARACTERISTICS:
 SIGNAL CONTACTS: 7.5 AMPS NOMINAL.
 INITIAL CONTACT RESISTANCE: 0.008 OHMS MAXIMUM.
 POWER CONTACTS: 24 AMPS MINIMUM AT 30° C RISE.
 INITIAL CONTACT RESISTANCE: 0.0005 OHMS MAXIMUM.
 INSULATOR RESISTANCE: 5 G OHMS.
 WORKING VOLTAGE: 300 V r.m.s.
- TEMPERATURE RANGE: -55°C TO +125°C.
- CONNECTORS ARE RoHS COMPLIANT PER RoHS DIRECTIVE 2002/95/EC OF 27 JAN. 2003.
- DIMENSIONS ARE IN INCHES [MILLIMETERS].

 POSITRONIC INDUSTRIES INC. www.connectpositronic.com		SCALE: N.T.S. DRAWN BY: YK APPROVED BY: RCW	
DECIMAL TOL. ± 0.015 [0.38]		QB SERIES	
TITLE: QB7W2MR7T2/7W2MR7T20/AA-14			
DATE: 7-14-06		DRAWING NUMBER: SK7769	
ANGULAR TOL. ± 5°		REV. B	