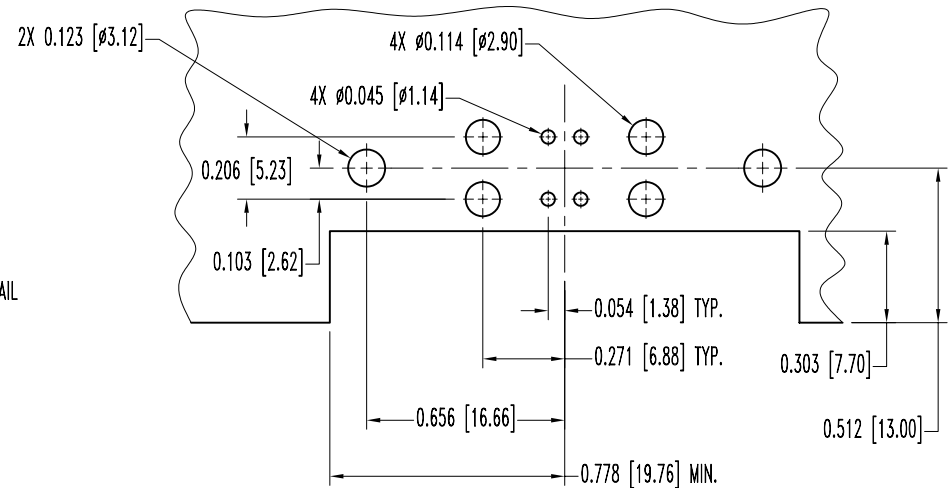
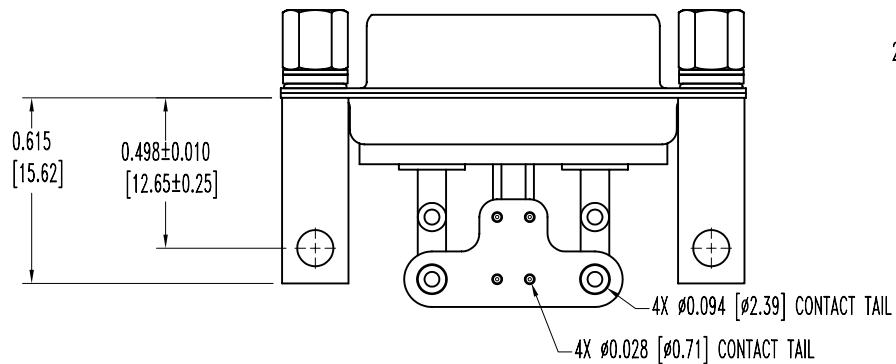
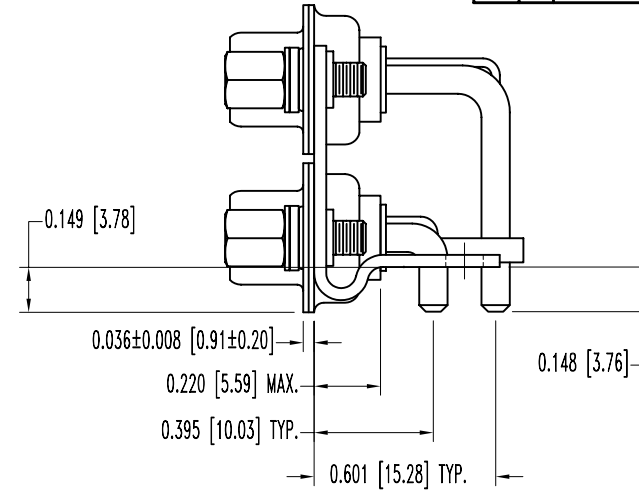
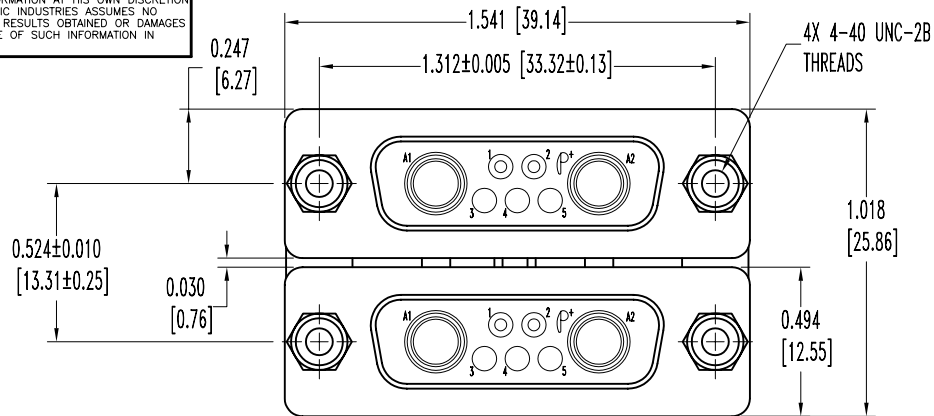


SK6980

POSITRONIC INDUSTRIES BELIEVES THE DATA ON THIS DRAWING TO BE RELIABLE, SINCE THE TECHNICAL INFORMATION IS GIVEN FREE OF CHARGE, THE USER EMPLOYS SUCH INFORMATION AT HIS OWN DISCRETION AND RISK. POSITRONIC INDUSTRIES ASSUMES NO RESPONSIBILITY FOR RESULTS OBTAINED OR DAMAGES INCURRED FROM USE OF SUCH INFORMATION IN WHOLE OR IN PART.

DATE	REV	REVISION RECORD	APP	DR	CK
1-20-06	NC	ECO 25381	RCW	TK	SC
2-23-06	A	ECO 25690	RCW	TK	COLE
8-2-06	B	ECO 26441		YK	



CONTACT HOLE PATTERN

NOTES:

1. MATERIALS AND FINISHES:

INSULATORS: GLASS FILLED POLYESTER PER MIL-M-24519,
 UL 94V-0, BLUE COLOR.

CONTACTS: PRECISION MACHINED COPPER ALLOY, GOLD FLASH OVER NICKEL PLATE.

SHELLS: STEEL WITH ZINC PLATE WITH CHROMATE SEAL.

MOUNTING BRACKETS: BRASS WITH ZINC PLATE WITH CHROMATE SEAL.

2. ELECTRICAL CHARACTERISTICS:

SIGNAL CONTACTS: 7.5 AMPS NOMINAL.

INITIAL CONTACT RESISTANCE: 0.008 OHMS MAXIMUM.

POWER CONTACTS: 24 AMPS MINIMUM AT 30° C RISE.

INITIAL CONTACT RESISTANCE: 0.0005 OHMS MAXIMUM.

INSULATOR RESISTANCE: 5 G OHMS.

WORKING VOLTAGE: 300 V r.m.s.

3. TEMPERATURE RANGE: -55°C TO +125°C.

4. CONNECTORS ARE RoHS COMPLIANT PER RoHS DIRECTIVE 2002/95/EC OF 27 JAN. 2003.

5. DIMENSIONS ARE IN INCHES [MILLIMETERS].

 POSITRONIC INDUSTRIES INC. www.connectpositronic.com		SCALE	DRAWN BY
		N.T.S.	T.KEPLEY
DECIMAL TOL.	QB SERIES	APPROVED BY	RCW
± 0.015 [0.38]	TITLE	QB7W2MR7T2/7W2MR7T20/AA	
ANGULAR TOL.	DATE	DRAWING NUMBER	REV.
± 5°	1-20-06	SK6980	B