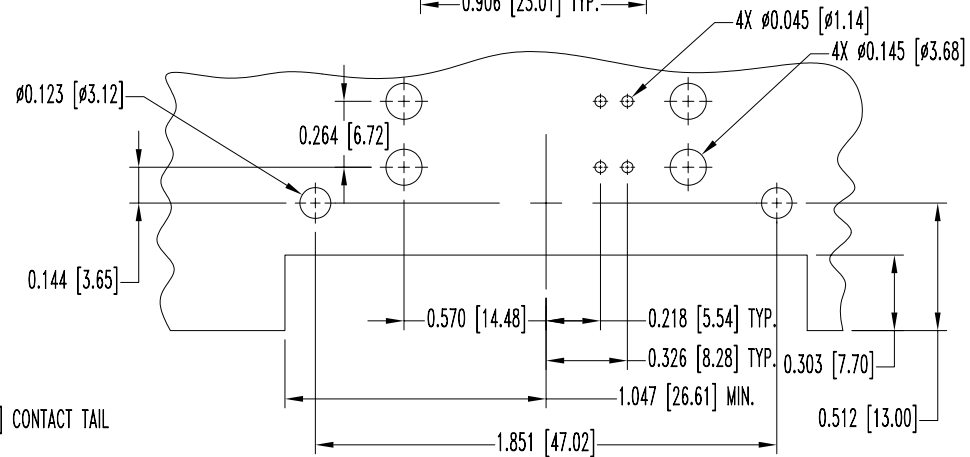
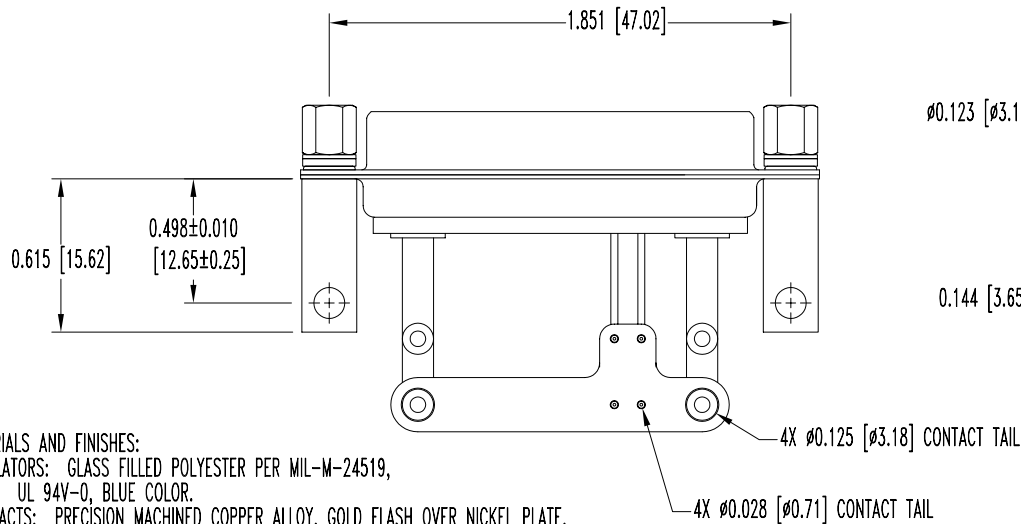
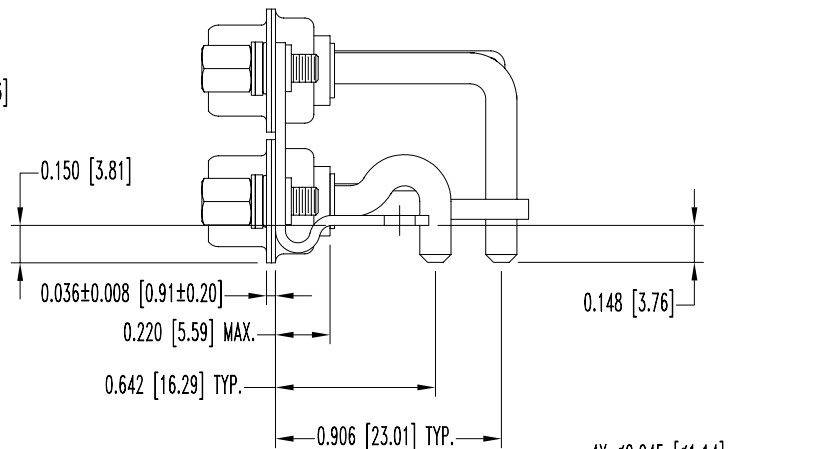
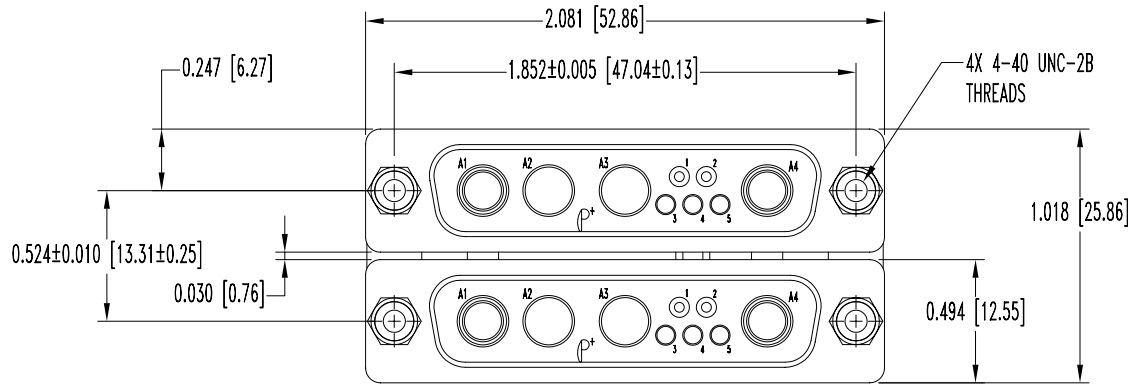


SK8744

POSITRONIC INDUSTRIES BELIEVES THE DATA ON THIS DRAWING TO BE RELIABLE. SINCE THE TECHNICAL INFORMATION IS GIVEN FREE OF CHARGE, THE USER EMPLOYS SUCH INFORMATION AT HIS OWN DISCRETION AND RISK. POSITRONIC INDUSTRIES ASSUMES NO RESPONSIBILITY FOR RESULTS OBTAINED OR DAMAGES INCURRED FROM USE OF SUCH INFORMATION IN WHOLE OR IN PART.

DATE	REV	REVISION RECORD	APP	DR	CK
7-11-07	NC	ECO 28163	RCW	YK	TK



NOTES:

- MATERIALS AND FINISHES:
INSULATORS: GLASS FILLED POLYESTER PER MIL-M-24519, UL 94V-0, BLUE COLOR.
CONTACTS: PRECISION MACHINED COPPER ALLOY, GOLD FLASH OVER NICKEL PLATE.
SHELLS: STEEL WITH ZINC PLATE WITH CHROMATE SEAL.
MOUNTING BRACKETS: BRASS WITH ZINC PLATE WITH CHROMATE SEAL.
- ELECTRICAL CHARACTERISTICS:
SIGNAL CONTACTS: 7.5 AMPS NOMINAL.
INITIAL CONTACT RESISTANCE: 0.008 OHMS MAXIMUM.
POWER CONTACTS: 49 AMPS MINIMUM AT 30° C RISE.
INITIAL CONTACT RESISTANCE: 0.0005 OHMS MAXIMUM.
INSULATOR RESISTANCE: 5 G OHMS.
WORKING VOLTAGE: 300 V r.m.s.
- TEMPERATURE RANGE: -55°C TO +125°C.
- CONNECTORS ARE RoHS COMPLIANT PER RoHS DIRECTIVE 2002/95/EC OF 27 JAN. 2003.
- DIMENSIONS ARE IN INCHES [MILLIMETERS].

	POSITRONIC INDUSTRIES INC. www.connectpositronic.com		FSCM 28198
	QB SERIES	SCALE N.T.S.	DRAWN BY YK
DECIMAL TOL. ± 0.015 [0.38]	TITLE QBH9W4MR7T2/9W4R7T20/AA		
ANGULAR TOL. ± 5°	DATE 7-11-07	DRAWING NUMBER SK8744	REV. NC