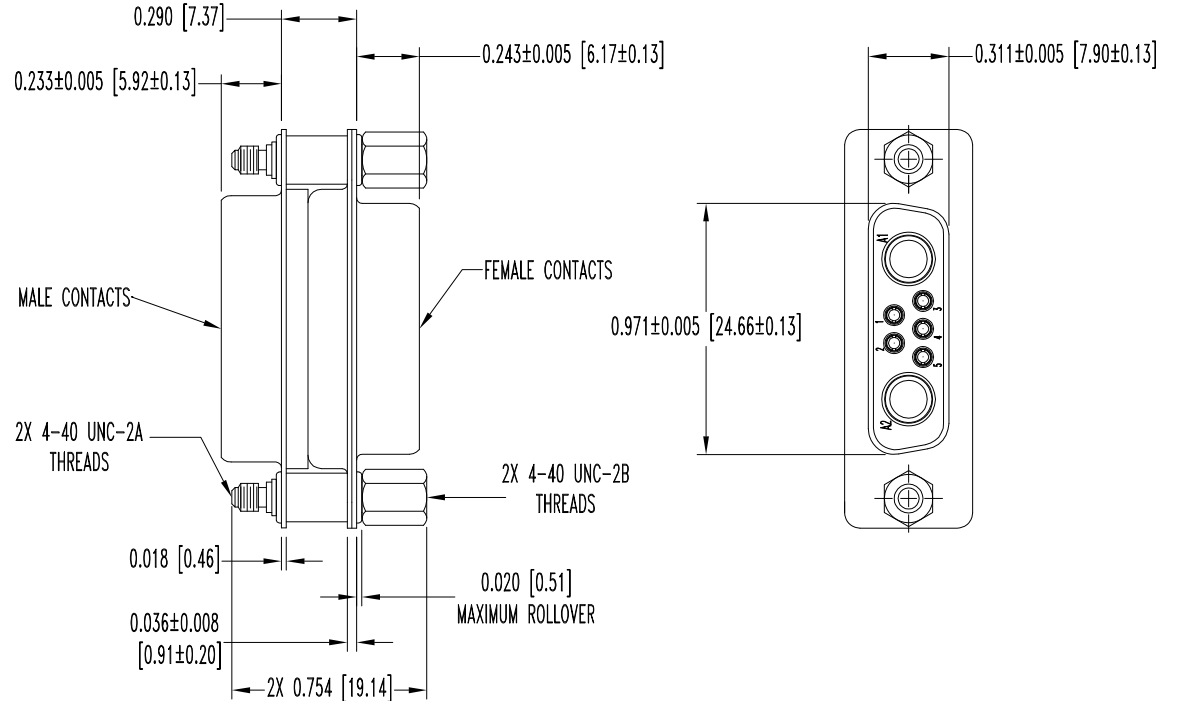
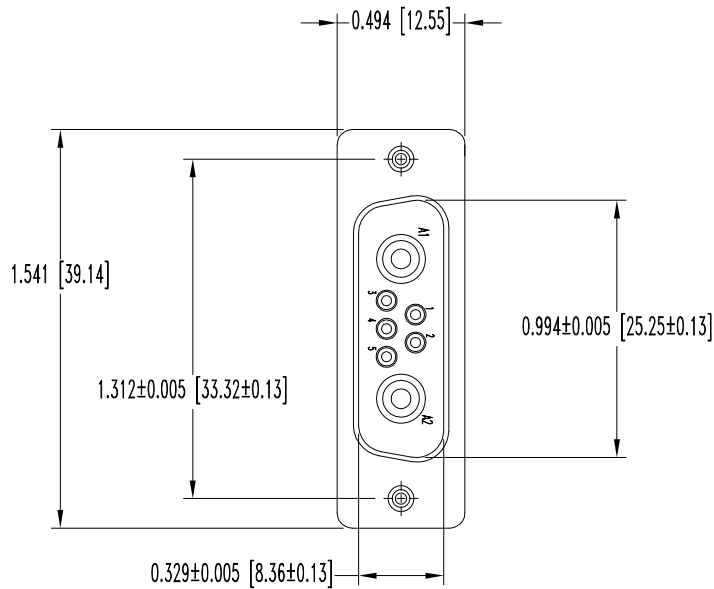


THIS DRAWING CONTAINS INFORMATION PROPRIETARY TO POSITRONIC AND ITS SUBSIDIARIES. POSITRONIC BELIEVES THE DATA ON THIS DRAWING TO BE RELIABLE, SINCE THE TECHNICAL INFORMATION IS GIVEN FREE OF CHARGE, THE USER EMPLOYS SUCH INFORMATION AT HIS OWN DISCRETION AND RISK. POSITRONIC ASSUMES NO RESPONSIBILITY FOR RESULTS OBTAINED OR DAMAGES INCURRED FROM USE OF SUCH INFORMATION IN WHOLE OR IN PART.

DATE	REV	REVISION RECORD	APP	DR	CK
6-03-09	NC	ECO 31131	RCW	BS	RCW



NOTES:

1. MATERIALS AND FINISHES:

- INSULATOR AND MOLDING SPACER: GLASS-FILLED POLYESTER PER MIL-M-24519, UL 94V-0, COLOR: BLUE.
- SIGNAL CONTACTS: PRECISION MACHINED HIGH TENSILE COPPER ALLOY, 0.000050 [1.27μ] GOLD OVER NICKEL PLATE.
- POWER CONTACTS: PRECISION MACHINED COPPER ALLOY, GOLD FLASH OVER NICKEL PLATE.
- SHELLS: STEEL WITH TIN PLATE.
- SPACERS: STEEL WITH TIN PLATE.
- JACKSCREW SYSTEMS: BRASS, ZINC PLATE WITH CHROMATE SEAL.

2. ELECTRICAL CHARACTERISTICS:

CONTACT CURRENT RATING:

- POWER CONTACTS: 40 AMPERES, NOMINAL.
- SIGNAL CONTACTS: 7.5 AMPERES, NOMINAL.

INITIAL CONTACT RESISTANCE:

- POWER CONTACTS: 0.0005 OHMS MAX.
- SIGNAL CONTACTS: 0.0008 OHMS MAX.

INSULATOR RESISTANCE: 5 G OHMS.

WORKING VOLTAGE: 300 V r.m.s.

3. TEMPERATURE RANGE: -55°C TO +125°C.

4. DIMENSIONS ARE IN INCHES [MILLIMETERS].

	POSITRONIC INDUSTRIES INC. www.connectpositronic.com		FSCM 28198
	DECIMAL TOL. ± 0.015 [0.38]	TITLE ACBMP7W2FOX7W2MEX	SCALE N.T.S.
ANGULAR TOL. ± 5°	DATE 6-03-09	DRAWING NUMBER SK10816	APPROVED BY R WILLIAMS
		REV. NC	