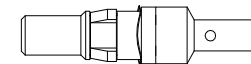
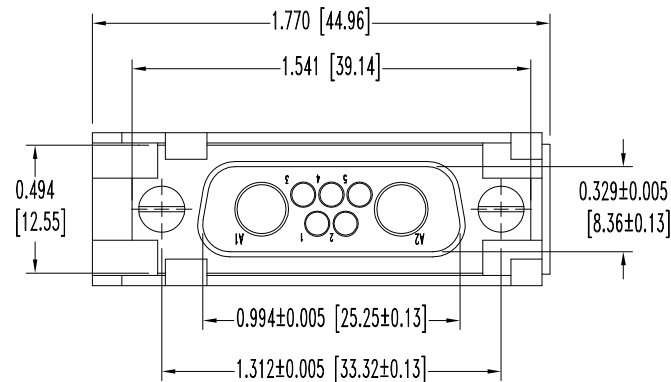
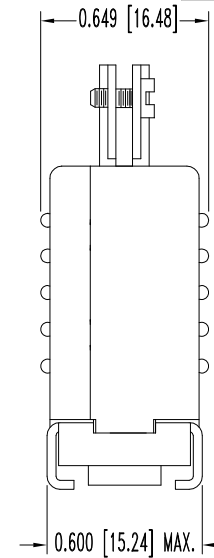
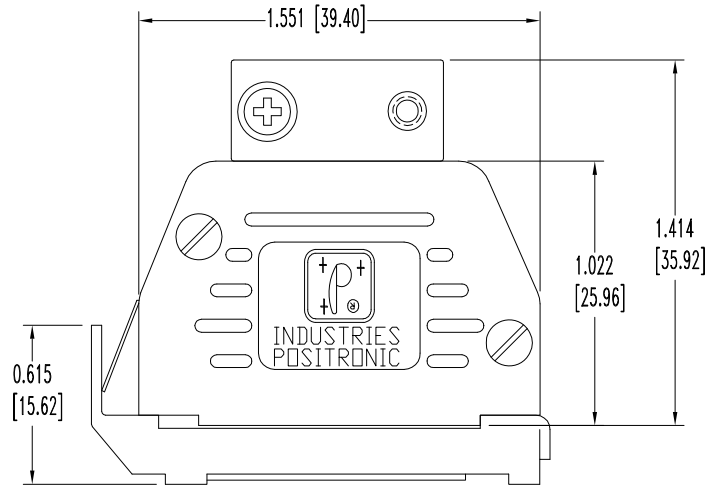


THIS DRAWING CONTAINS INFORMATION PROPRIETARY TO POSITRONIC AND ITS SUBSIDIARIES. POSITRONIC BELIEVES THE DATA ON THIS DRAWING TO BE RELIABLE. SINCE THE TECHNICAL INFORMATION IS GIVEN FREE OF CHARGE, THE USER EMPLOYS SUCH INFORMATION AT HIS OWN DISCRETION AND RISK. POSITRONIC ASSUMES NO RESPONSIBILITY FOR RESULTS OBTAINED OR DAMAGES INCURRED FROM USE OF SUCH INFORMATION IN WHOLE OR IN PART.

DATE	REV	REVISION RECORD	APP	DR	CK
11-15-01	NC	ECO 18626	RCW	ME	COLE
2-23-10	A	ECO 32152	TK	BS	TK



2X MCC4102D



5X MALE CONTACTS

NOTES:

1. MATERIALS AND FINISHES:

- INSULATOR: GLASS FILLED POLYESTER PER ASTM-D5927, UL 94V-0, COLOR: BLUE.
- SIGNAL CONTACTS: PRECISION MACHINED COPPER ALLOY, GOLD FLASH OVER NICKEL PLATE.
- SHIELDED CONTACTS: PRECISION MACHINED COPPER ALLOY WITH PTFE TEFLON INSULATOR, 0.000030 [0.75µ] GOLD OVER SIGNAL CONTACT, GOLD FLASH OVER NICKEL PLATE ON CONTACT BODY.
- SHELLS: STEEL, ZINC PLATE WITH CHROMATE SEAL.
- LOCK ARM: STEEL WITH NICKEL PLATE.
- HOOD: THERMOPLASTIC, UL 94V-0.
- SCREWS: STEEL, ZINC PLATE WITH CHROMATE SEAL.

2. DETAILED PRODUCT, MECHANICAL, AND ELECTRICAL INFORMATION IS AVAILABLE IN THE LATEST STANDARD DENSITY COMBO-D PRODUCT PUBLICATION. VISIT CONNECTPOSITRONIC.COM/PRODUCTS/1/STANDARD DENSITY COMBO-D OR CONNECTPOSITRONIC.COM.

3. DIMENSIONS ARE IN INCHES [MILLIMETERS].

	POSITRONIC INDUSTRIES INC. www.connectpositronic.com		FSCM 28198
	DECIMAL TOL. ± 0.015 [0.38]	TITLE CBC SERIES	SCALE N.T.S.
	APPROVED BY R WILLIAMS		
	TITLE CBC7W2M140JVLO		
ANGULAR TOL. ± 5°	DATE 11-15-01	DRAWING NUMBER SK4045	REV. A