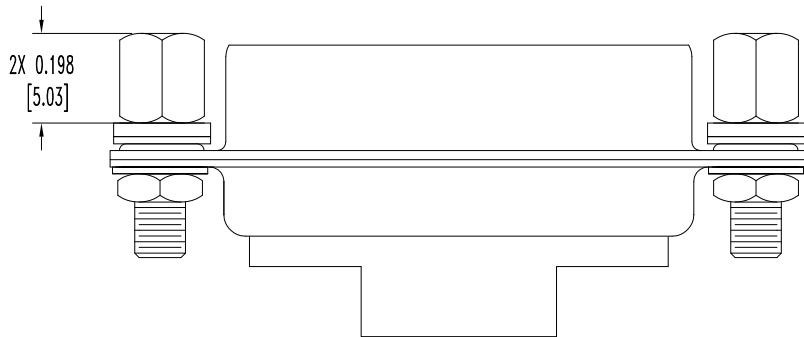
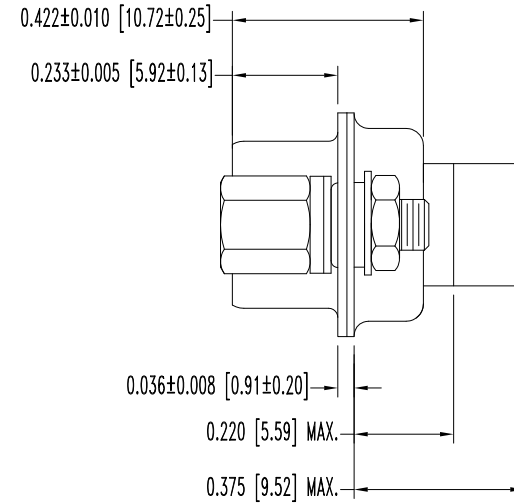
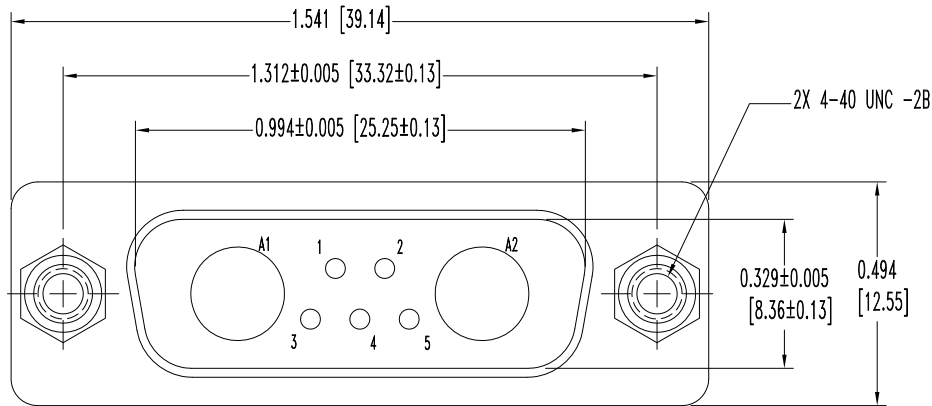


SK9807

THIS DRAWING CONTAINS INFORMATION PROPRIETARY TO POSITRONIC AND ITS SUBSIDIARIES. POSITRONIC BELIEVES THE DATA ON THIS DRAWING TO BE RELIABLE. SINCE THE TECHNICAL INFORMATION IS GIVEN FREE OF CHARGE, THE USER EMPLOYS SUCH INFORMATION AT HIS OWN DISCRETION AND RISK. POSITRONIC ASSUMES NO RESPONSIBILITY FOR RESULTS OBTAINED OR DAMAGES INCURRED FROM USE OF SUCH INFORMATION IN WHOLE OR IN PART.

DATE	REV	REVISION RECORD	APP	DR	CK
10-13-08	NC	ECO 30098	RCW	YK	COLE



NOTES:

1. MATERIALS AND FINISHES:

- INSULATOR: GLASS FILLED POLYESTER PER MIL-M-24519 UL 94V-0, BLUE COLOR.
- SHELLS: STEEL, ZINC PLATE WITH CHROMATE SEAL.
- JACKSCREWS: STEEL, ZINC PLATE WITH CHROMATE SEAL.
- LOCK WASHERS: BRONZE, ZINC PLATE WITH CHROMATE SEAL.
- WASHERS: STAINLESS STEEL, PASSIVATED.
- HEX NUTS: BRASS, ZINC PLATE WITH CHROMATE SEAL.

2. ELECTRICAL CHARACTERISTICS:

- INSULATOR RESISTANCE: 5 G OHMS.
- WORKING VOLTAGE: 300 V r.m.s.

3. WORKING TEMPERATURE: -55°C TO +125°C.

4. DIMENSIONS ARE IN INCHES [MILLIMETERS].

	POSITRONIC INDUSTRIES INC. www.connectpositronic.com		FSCM 28198
	DECIMAL TOL. ± 0.015 [0.38]	TITLE CBC7W2M0000T20	SCALE N.T.S.
ANGULAR TOL. $\pm 5^\circ$	DATE 10-13-08	DRAWING NUMBER SK9807	APPROVED BY R WILLIAMS
			REV. NC