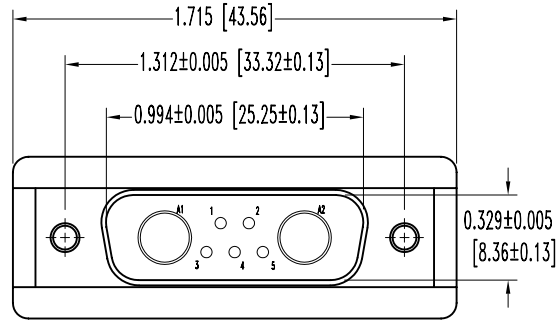
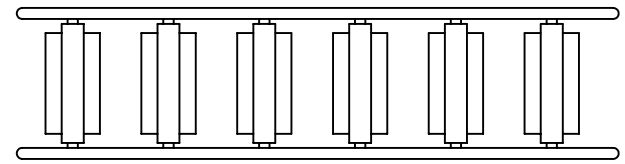
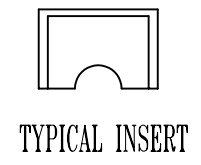
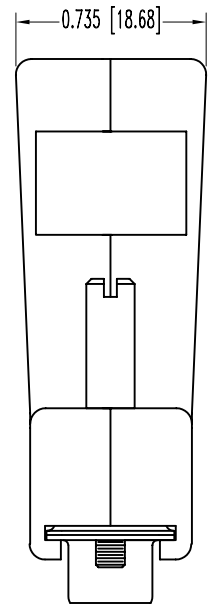
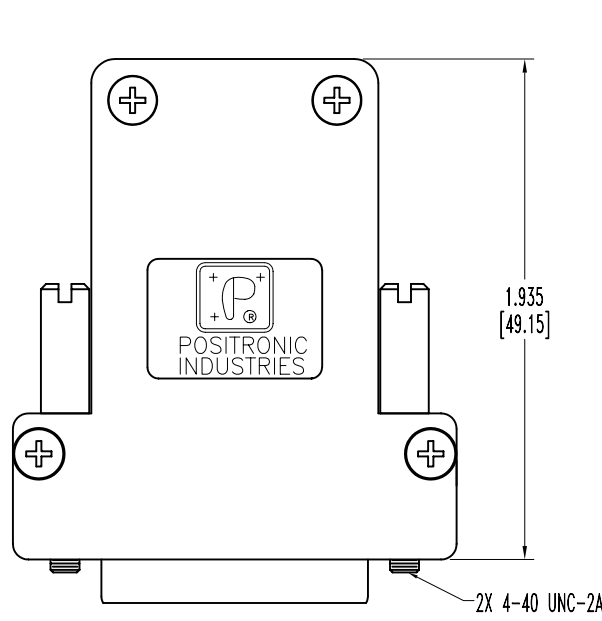


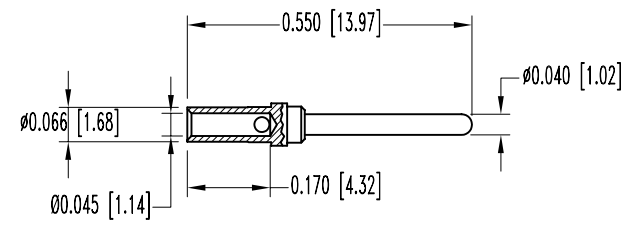
SK8057

POSITRONIC INDUSTRIES BELIEVES THE DATA ON THIS DRAWING TO BE RELIABLE. SINCE THE TECHNICAL INFORMATION IS GIVEN FREE OF CHARGE, THE USER EMPLOYS SUCH INFORMATION AT HIS OWN DISCRETION AND RISK. POSITRONIC INDUSTRIES ASSUMES NO RESPONSIBILITY FOR RESULTS OBTAINED OR DAMAGES INCURRED FROM USE OF SUCH INFORMATION IN WHOLE OR IN PART.

DATE	REV	REVISION RECORD	APP	DR	CK
10-13-06	NC	ECO 26855		YK	

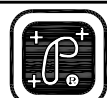


INSERT TREE ASSEMBLY



5X MALE CONTACT
(ENLARGED)

- NOTES:
- MATERIALS AND FINISHES:**
 INSULATOR: GLASS FILLED POLYESTER PER MIL-M-24519, UL 94V-0. COLOR BLUE.
 CONTACTS: PRECISION MACHINED BRASS, GOLD FLASH OVER NICKEL PLATE.
 SHELLS: STEEL, ZINC PLATE WITH CHROMATE SEAL.
 HOOD AND INSERT: COMPOSITE, CONDUCTIVE VOLUME RESISTIVITY (1.0 OHM-cm MAX.), UL94V-0.
 ATTENUATION: 40+ DECIBELS.
 JACKSCREWS: STEEL WITH ZINC PLATE WITH BLUE CHROMATE SEAL.
 CABLE CLAMPS: STEEL, NICKEL PLATE.
 SCREWS: BRASS, ZINC PLATE WITH CHROMATE SEAL.
 - ELECTRICAL CHARACTERISTICS:**
 CONTACT CURRENT RATING: 7.5 AMPERES NOMINAL.
 INITIAL CONTACT RESISTANCE: 0.008 OHMS MAXIMUM.
 INSULATOR RESISTANCE: 5 G OHMS.
 WORKING VOLTAGE: 300 V r.m.s.
 - TEMPERATURE RANGE:** -55°C TO +125°C.
 - DIMENSIONS ARE IN INCHES [MILLIMETERS].**

 POSITRONIC INDUSTRIES INC. www.connectpositronic.com		SCALE N.T.S.		DRAWN BY YK	
DECIMAL TOL. ± 0.015 [0.38]		CBC SERIES		APPROVED BY	
TITLE CBC7W2M10Z00					
DATE 10-13-06		DRAWING NUMBER SK8057		REV. NC	