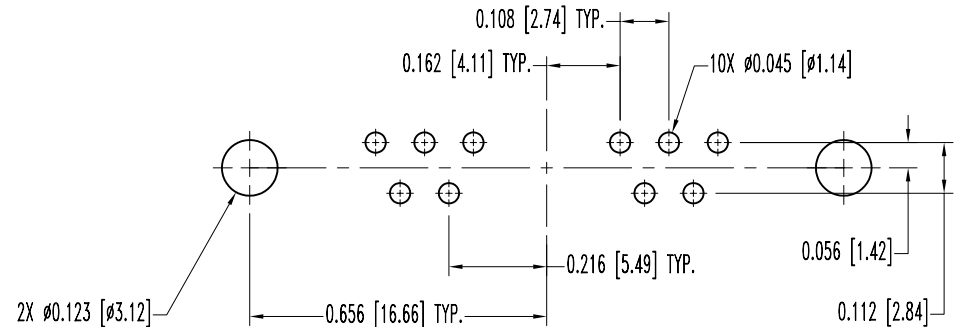
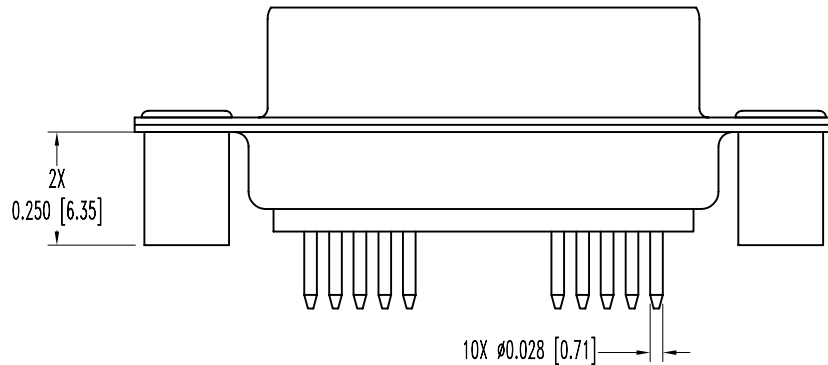
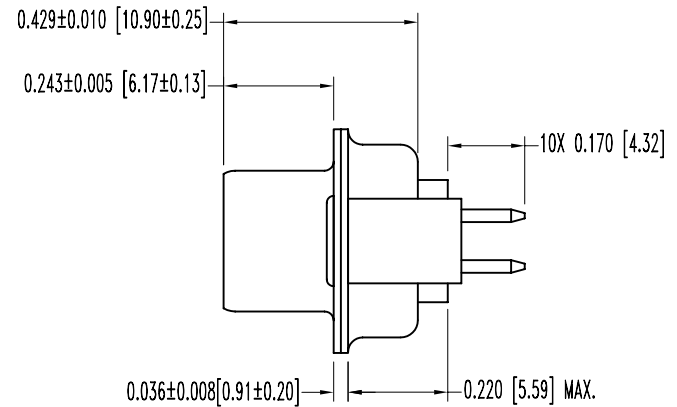
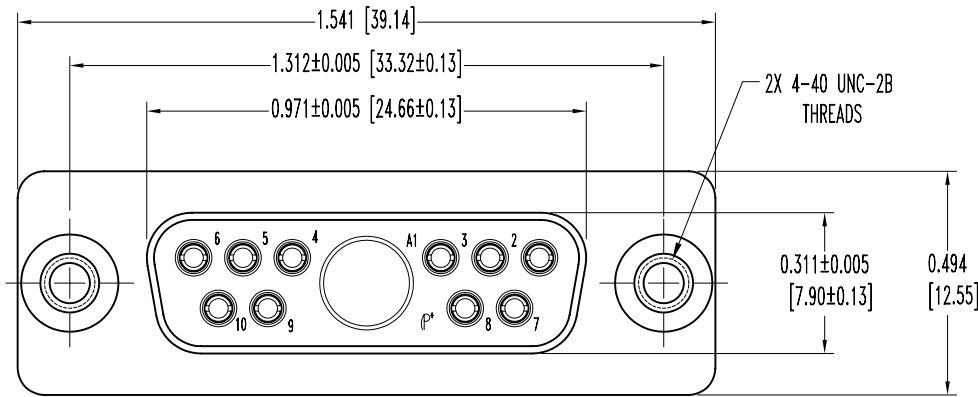


SK6341

POSITRONIC INDUSTRIES BELIEVES THE DATA ON THIS DRAWING TO BE RELIABLE. SINCE THE TECHNICAL INFORMATION IS GIVEN FREE OF CHARGE, THE USER EMPLOYS SUCH INFORMATION AT HIS OWN DISCRETION AND RISK. POSITRONIC INDUSTRIES ASSUMES NO RESPONSIBILITY FOR RESULTS OBTAINED OR DAMAGES INCURRED FROM USE OF SUCH INFORMATION IN WHOLE OR IN PART.


DATE	REV	REVISION RECORD	APP	DR	CK
7-15-05	NC	ECO 24355		YK	



CONTACT HOLE PATTERN

NOTES:

- MATERIALS AND FINISHES:  
 INSULATOR: GLASS FILLED POLYESTER PER MIL-M-24519, UL 94V-0, COLOR BLUE.  
 CONTACTS: PRECISION MACHINED HIGH TENSILE PHOSPHOR BRONZE, GOLD FLASH OVER NICKEL PLATE.  
 SHELLS: STEEL WITH TIN PLATE.  
 SWAGED SPACER: STEEL WITH TIN PLATE.
- ELECTRICAL CHARACTERISTICS:  
 CONTACT CURRENT RATING: 7.5 AMPERES NOMINAL.  
 INITIAL CONTACT RESISTANCE: 0.008 OHMS MAXIMUM.  
 INSULATOR RESISTANCE: 5 G OHMS.  
 WORKING VOLTAGE: 300 V r.m.s.
- TEMPERATURE RANGE: -55°C TO +125°C.
- CONNECTORS ARE ROHS COMPLIANT PER ROHS DIRECTIVE 2002/95/EC OF 27 JAN 2003.
- DIMENSIONS ARE IN INCHES [MILLIMETERS].

 <b>POSITRONIC INDUSTRIES INC.</b> www.connectpositronic.com		SCALE N.T.S.		DRAWN BY YK	
DECIMAL TOL. ± 0.015 [0.38]		CBD SERIES		APPROVED BY	
TITLE CBD11W1F3S00X/AA					
ANGULAR TOL. ± 5°		DATE 7-15-05		DRAWING NUMBER SK6341	
REV. NC					