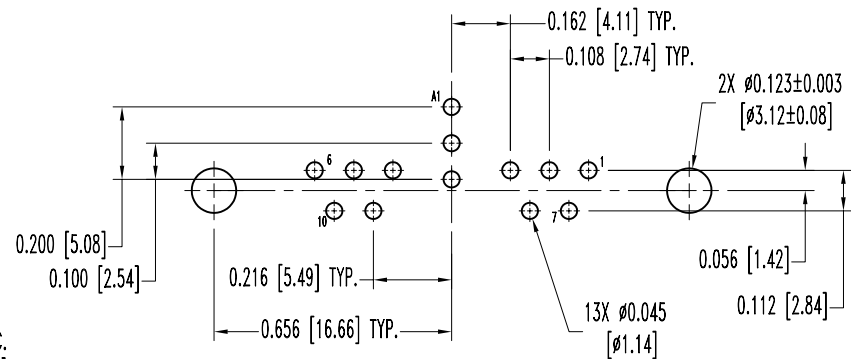
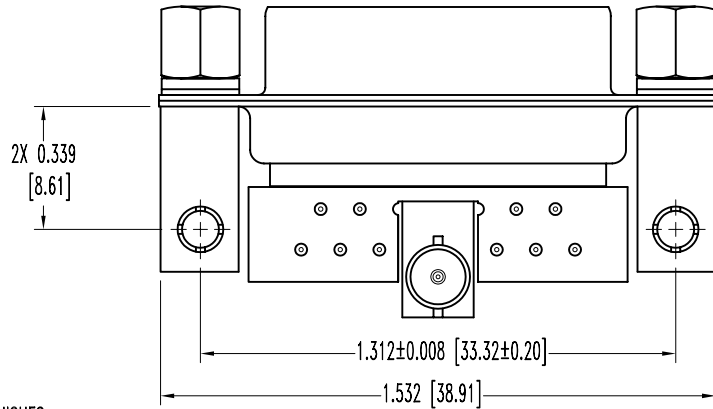
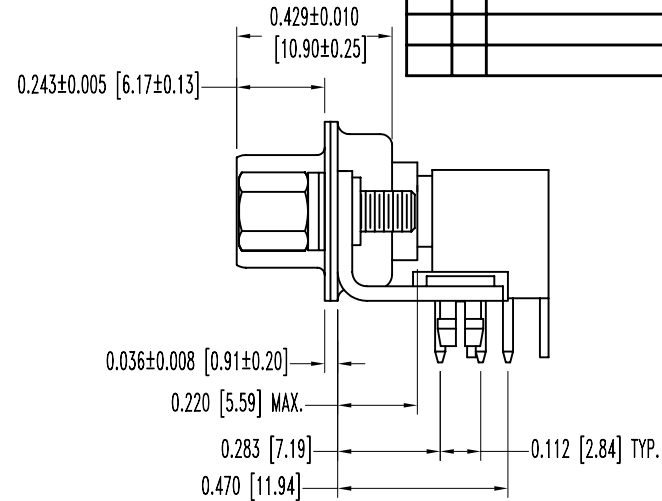
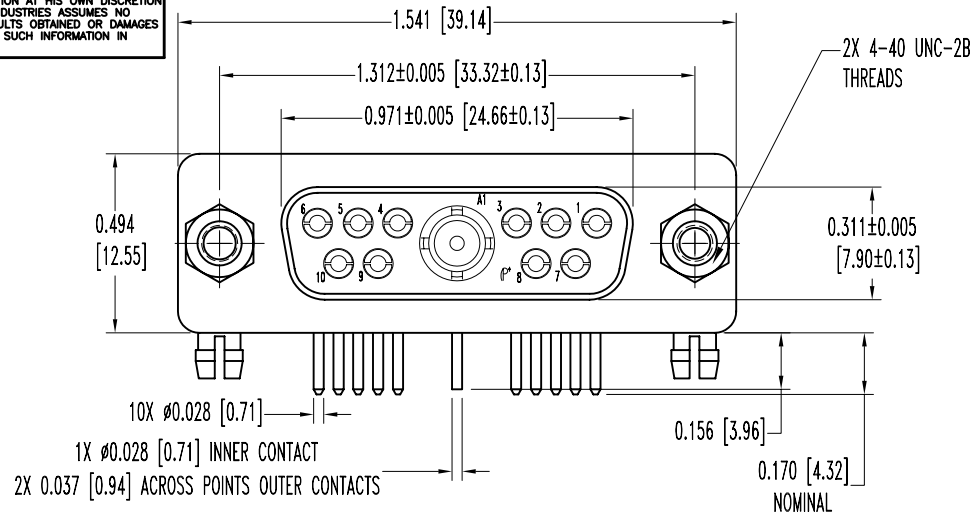


SK5629

POSITRONIC INDUSTRIES BELIEVES THE DATA ON THIS DRAWING TO BE RELIABLE. SINCE THE TECHNICAL INFORMATION IS GIVEN FREE OF CHARGE, THE USER EMPLOYS SUCH INFORMATION AT HIS OWN DISCRETION AND RISK. POSITRONIC INDUSTRIES ASSUMES NO RESPONSIBILITY FOR RESULTS OBTAINED OR DAMAGES INCURRED FROM USE OF SUCH INFORMATION IN WHOLE OR IN PART.

DATE	REV	REVISION RECORD	APP	DR	CK
8-24-04	NC	ECO 22900		YK	



CONTACT HOLE PATTERN

NOTES:

1. MATERIALS AND FINISHES:

- INSULATOR: GLASS FILLED POLYESTER PER MIL-M-24519 UL 94V-0, COLOR: BLUE.
- SIGNAL CONTACTS: PRECISION MACHINED HIGH TENSILE PHOSPHOR BRONZE, GOLD FLASH OVER NICKEL PLATE.
- SHIELDED CONTACTS: PRECISION MACHINED BRASS WITH GOLD FLASH OVER NICKEL.
- SHELLS: STEEL, ZINC PLATE WITH DICHROMATE SEAL.
- MOUNTING BRACKETS: BRASS, ZINC PLATE WITH DICHROMATE SEAL.
- JACKSCREWS: STEEL, ZINC PLATE DICROMATE SEAL.

INSULATOR RESISTANCE: 5 G OHMS.  
WORKING VOLTAGE: 300 V r.m.s.

- 3. TEMPERATURE RANGE: -55°C TO +125°C.
- 4. DIMENSIONS ARE IN INCHES [MILLIMETERS].

2. ELECTRICAL CHARACTERISTICS:

SIGNAL CONTACTS:

- CONTACT CURRENT RATING: 7.5 AMPERES NOMINAL.
- INITIAL CONTACT RESISTANCE: 0.008 OHMS MAXIMUM.

SHIELDED CONTACTS:

- INITIAL CONTACT RESISTANCE: 0.008 OHMS MAXIMUM.
- NOMINAL IMPEDANCE: 50 OHMS.

- INSERTION LOSS: -0.46 dB AT 1 GHz
- 1.5 dB AT 2 GHz

- VSWR: 1.15 AVERAGE AT 1 GHz
- 1.56 AVERAGE AT 2 GHz

		<b>POSITRONIC INDUSTRIES INC.</b> www.connectpositronic.com	
	DECIMAL TOL. $\pm 0.015$ [0.38]	CBD SERIES	SCALE N.T.S.
	ANGULAR TOL. $\pm 5^\circ$	DATE 8-24-04	DRAWING NUMBER SK5629
TITLE CBD11W1F85R7NT20		DRAWN BY YK	REV. NC
APPROVED BY		APPROVED BY	