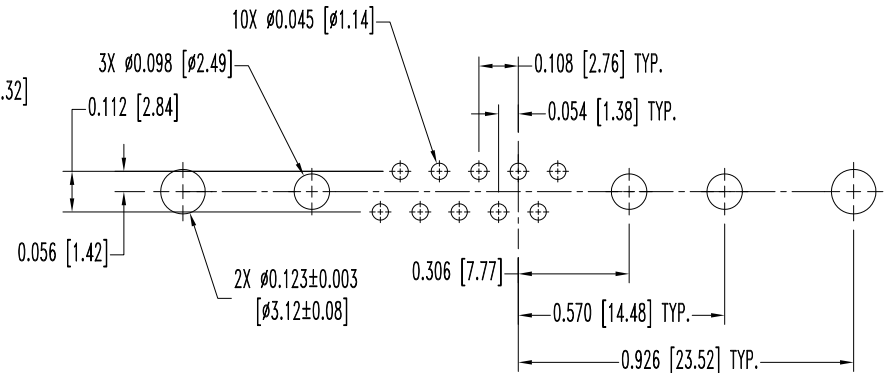
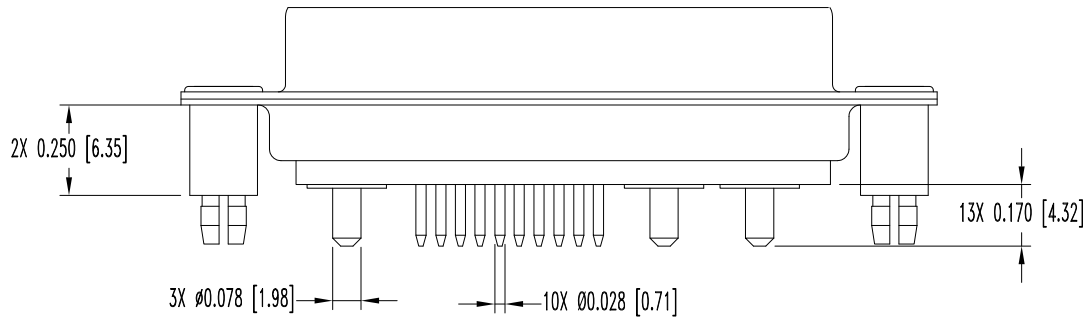
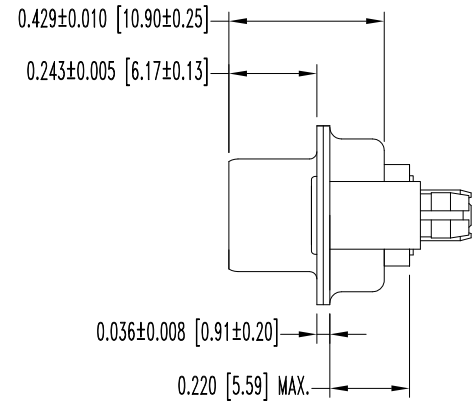
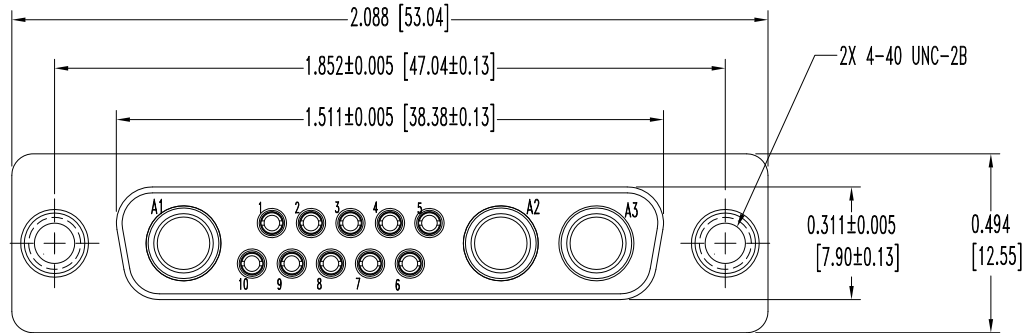


SK10078

THIS DRAWING CONTAINS INFORMATION PROPRIETARY TO POSITRONIC AND ITS SUBSIDIARIES. POSITRONIC BELIEVES THE DATA ON THIS DRAWING TO BE RELIABLE. SINCE THE TECHNICAL INFORMATION IS GIVEN FREE OF CHARGE, THE USER EMPLOYS SUCH INFORMATION AT HIS OWN DISCRETION AND RISK. POSITRONIC ASSUMES NO RESPONSIBILITY FOR RESULTS OBTAINED OR DAMAGES INCURRED FROM USE OF SUCH INFORMATION IN WHOLE OR IN PART.

DATE	REV	REVISION RECORD	APP	DR	CK
12-15-08	NC	ECO 30371	RCW	YK	COLE



CONTACT HOLE PATTERN

NOTES:

- MATERIALS AND FINISHES:  
 INSULATOR: GLASS FILLED POLYESTER PER MIL-M-24519 UL 94V-0, BLUE COLOR.  
 SIGNAL CONTACTS: PRECISION MACHINED HIGH TENSILE PHOSPHOR BRONZE, GOLD FLASH OVER NICKEL FINISH.  
 POWER CONTACTS: PRECISION MACHINED BRASS ALLOY, GOLD FLASH OVER NICKEL FINISH.  
 SHELLS: STEEL, ZINC PLATE WITH CHROMATE SEAL.  
 SWAGED SPACERS WITH PUSH FASTENERS: PHOSPHOR BRONZE, TIN PLATE.
- ELECTRICAL CHARACTERISTICS:  
 CONTACT CURRENT RATING: SIGNAL: 7.5 AMPERES NOMINAL. POWER: 15 AMPERES NOMINAL.  
 INITIAL CONTACT RESISTANCE: SIGNAL: 0.008 OHMS MAXIMUM. POWER: 0.0005 OHMS MAXIMUM.  
 INSULATOR RESISTANCE: 5 G OHMS.  
 WORKING VOLTAGE: 300 V r.m.s.
- TEMPERATURE RANGE: -55°C TO +125°C.
- DIMENSIONS ARE IN INCHES [MILLIMETERS].

	<b>POSITRONIC INDUSTRIES INC.</b> www.connectpositronic.com		FSCM 28198
	DECIMAL TOL. ± 0.015 [0.38]	CBD SERIES	SCALE N.T.S.
ANGULAR TOL. ± 5°	DATE 12-15-08	DRAWING NUMBER SK10078	REV. NC
TITLE <b>CBD13W3F35S6000</b>			
APPROVED BY R. WILLIAMS			