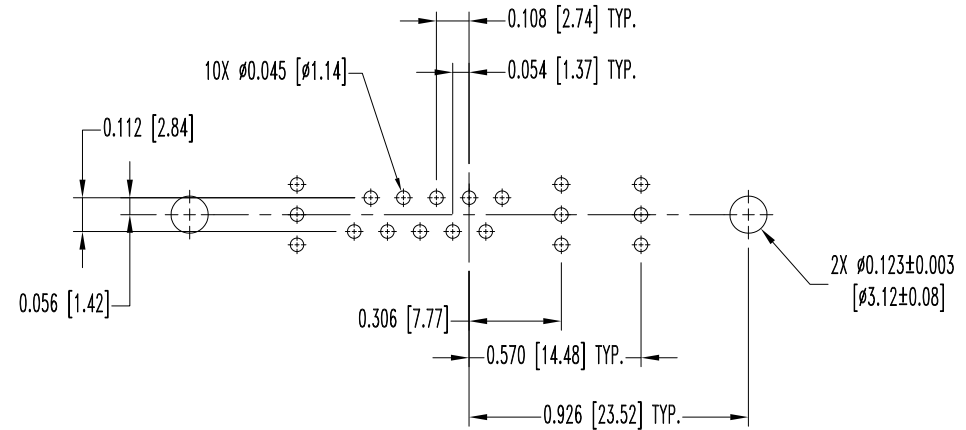
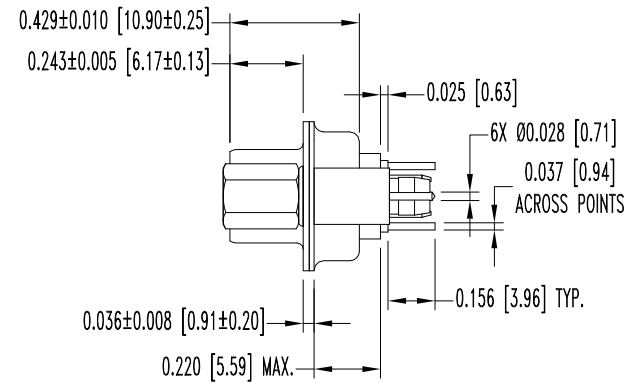
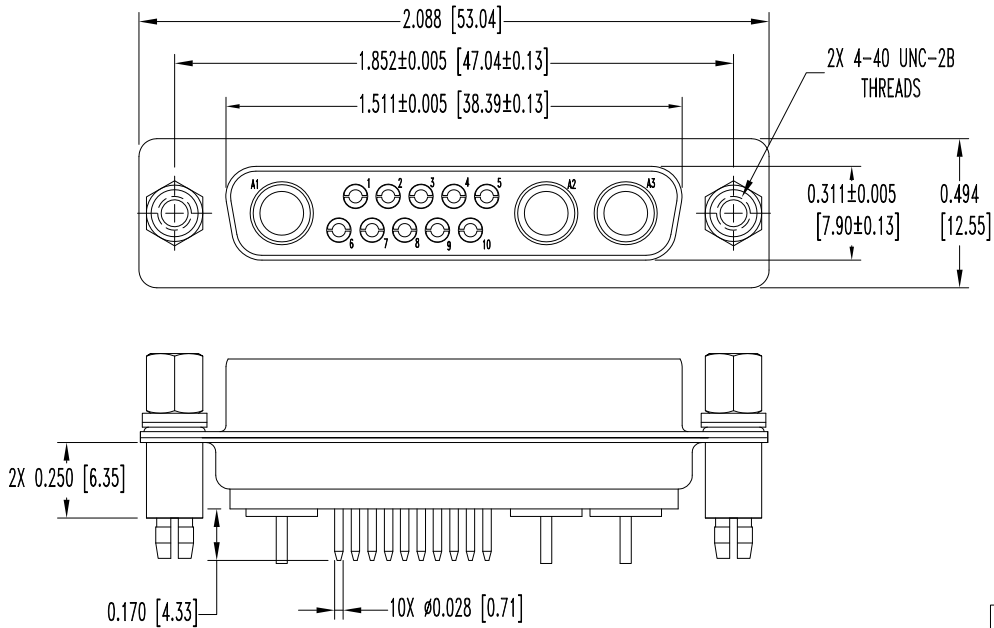


THIS DRAWING CONTAINS INFORMATION PROPRIETARY TO POSITRONIC AND ITS SUBSIDIARIES. POSITRONIC BELIEVES THE DATA ON THIS DRAWING TO BE RELIABLE, SINCE THE TECHNICAL INFORMATION IS GIVEN FREE OF CHARGE. THE USER EMPLOYS SUCH INFORMATION AT HIS OWN DISCRETION AND RISK. POSITRONIC ASSUMES NO RESPONSIBILITY FOR RESULTS OBTAINED OR DAMAGES INCURRED FROM USE OF SUCH INFORMATION IN WHOLE OR IN PART.

DATE	REV	REVISION RECORD	APP	DR	CK
5-1-08	NC	ECO 29355	RCW	YK	TK



CONTACT HOLE PATTERN

NOTES:

1. MATERIALS AND FINISHES:

INSULATOR: GLASS FILLED POLYESTER PER MIL-M-24519 UL 94V-0, COLOR: BLUE.
 SIGNAL CONTACTS: PRECISION MACHINED HIGH TENSILE PHOSPHOR BRONZE, GOLD FLASH OVER NICKEL FINISH.
 SHIELDED CONTACTS: COPPER ALLOY WITH PTFE TEFLON INSULATOR.
 PLATING: SIGNAL CONTACT: 0.0000030 [0.75µ] GOLD OVER NICKEL FINISH.
 CONTACT BODY: GOLD FLASH OVER NICKEL.

SHELLS: STEEL, TIN PLATE.
 JACKSCREWS: STEEL, ZINC PLATE WITH CHROMATE SEAL.
 PUSH-ON FASTENERS: BERYLLIUM COPPER, TIN PLATE.
 WASHERS: STAINLESS STEEL, PASSIVATED.

2. ELECTRICAL CHARACTERISTICS:

INITIAL CONTACT RESISTANCE: 0.008 OHMS MAXIMUM.
 NOMINAL IMPEDANCE: 50 OHMS.
 INSERTION LOSS: -0.46 dB AT 1 GHz
 -1.5 dB AT 2 GHz
 VSWR: 1.15 AVERAGE AT 1 GHz
 1.56 AVERAGE AT 2 GHz
 INSULATOR RESISTANCE: 5 G OHMS.
 WORKING VOLTAGE: 300 V r.m.s.

3. TEMPERATURE RANGE: -55°C TO +125°C.
 4. DIMENSIONS ARE IN INCHES [MILLIMETERS].

		POSITRONIC INDUSTRIES INC. www.connectpositronic.com		FSCM 28198
		CBD SERIES	SCALE N.T.S.	DRAWN BY YK
DECIMAL TOL. ± 0.015 [0.38]	TITLE CBD13W3F65S60T2X		APPROVED BY R. WILLIAMS	
ANGULAR TOL. ± 5°	DATE 5-1-08	DRAWING NUMBER SK9408	REV. NC	