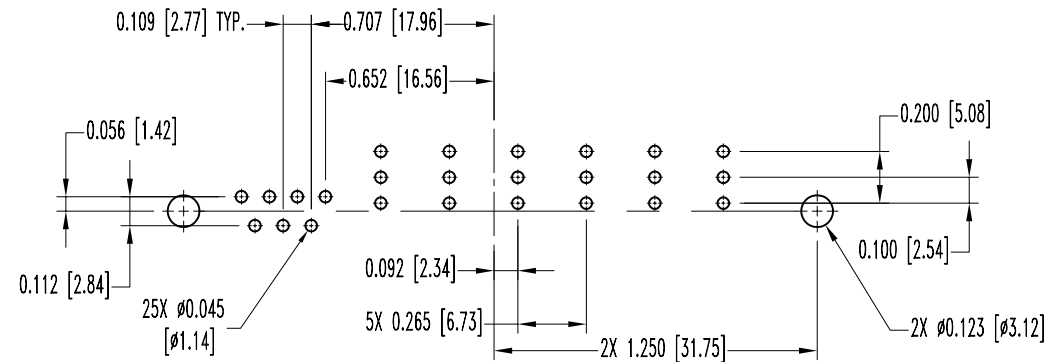
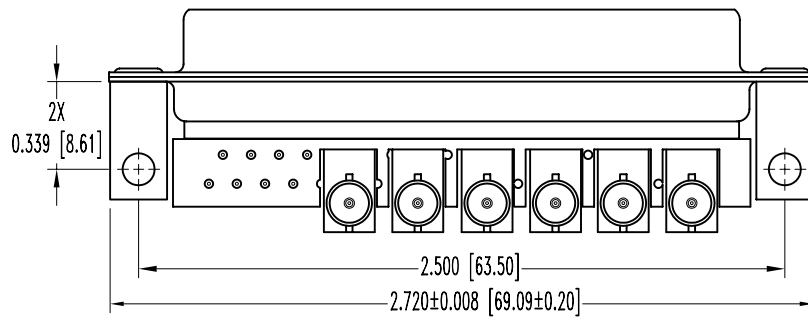
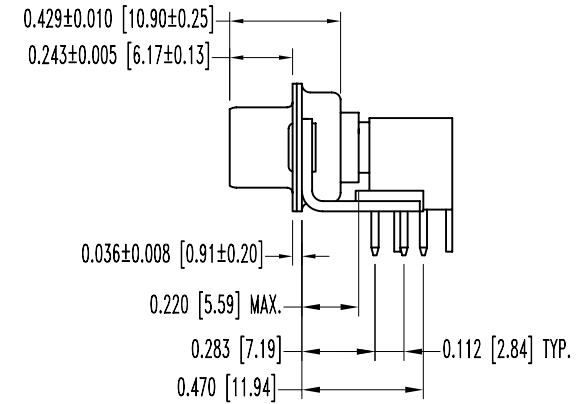
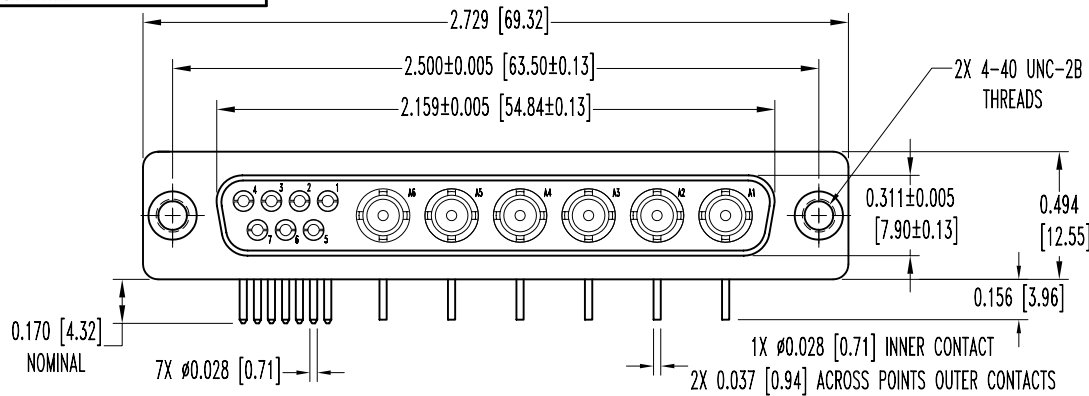


SK6279

POSITRONIC INDUSTRIES BELIEVES THE DATA ON THIS DRAWING TO BE RELIABLE. SINCE THE TECHNICAL INFORMATION IS GIVEN FREE OF CHARGE, THE USER EMPLOYS SUCH INFORMATION AT HIS OWN DISCRETION AND RISK. POSITRONIC INDUSTRIES ASSUMES NO RESPONSIBILITY FOR RESULTS OBTAINED OR DAMAGES INCURRED FROM USE OF SUCH INFORMATION IN WHOLE OR IN PART.

DATE	REV	REVISION RECORD	APP	DR	CK
6-24-05	A	ECO 24275		YK	



CONTACT HOLE PATTERN

NOTES:

1. MATERIALS AND FINISHES:

INSULATOR: GLASS FILLED POLYESTER PER MIL-M-24519 UL 94V-0, COLOR: BLUE.  
 SIGNAL CONTACTS: PRECISION MACHINED HIGH TENSILE PHOSPHOR BRONZE, GOLD FLASH OVER NICKEL PLATE.  
 SHIELDED CONTACTS: COPPER ALLOY WITH PTFE TEFLON INSULATOR.  
 PLATING: SIGNAL CONTACT: 0.0000030 [0.75µ] GOLD OVER NICKEL.  
 CONTACT BODY: GOLD FLASH OVER NICKEL.

SHELLS: STEEL WITH TIN PLATE.  
 MOUNTING BRACKETS: BRASS WITH TIN PLATE.  
 RIVETS: BRASS, ZINC PLATE DICROMATE SEAL.

2. ELECTRICAL CHARACTERISTICS:

SIGNAL CONTACTS:

CONTACT CURRENT RATING: 7.5 AMPERES NOMINAL.  
 INITIAL CONTACT RESISTANCE: 0.008 OHMS MAXIMUM.

SHIELDED CONTACTS:

INITIAL CONTACT RESISTANCE: 0.008 OHMS MAXIMUM.

NOMINAL IMPEDANCE: 50 OHMS.

INSERTION LOSS: -0.46 dB AT 1 GHz

-1.5 dB AT 2 GHz

VSWR: 1.15 AVERAGE AT 1 GHz

1.56 AVERAGE AT 2 GHz

INSULATOR RESISTANCE: 5 G OHMS.

WORKING VOLTAGE: 300 V r.m.s.

3. TEMPERATURE RANGE: -55°C TO +125°C.

4. DIMENSIONS ARE IN INCHES [MILLIMETERS].

		<b>POSITRONIC INDUSTRIES INC.</b> www.connectpositronic.com	
		SCALE N.T.S.	DRAWN BY YK
DECIMAL TOL. ± 0.015 [0.38]	CBD SERIES	TITLE CBD13W6F85R700X	
ANGULAR TOL. ± 5°	DATE 6-24-05	DRAWING NUMBER SK6279	REV. NC