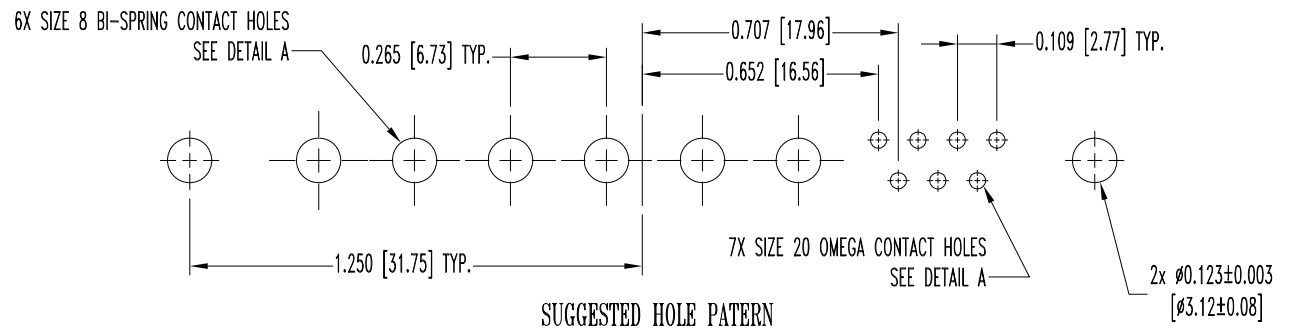
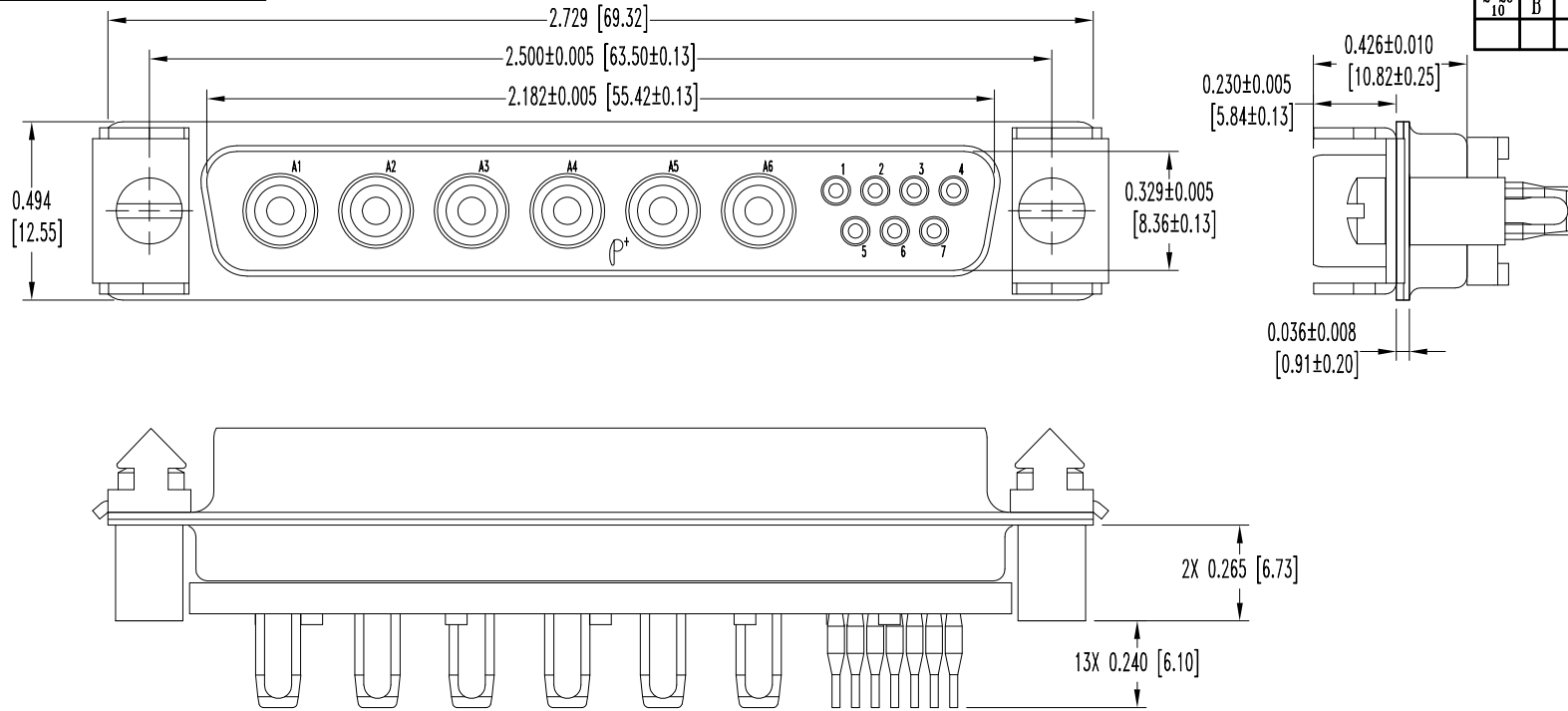


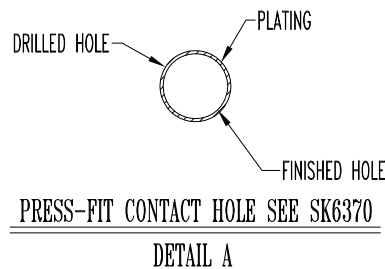
THIS DRAWING CONTAINS INFORMATION PROPRIETARY TO POSITRONIC AND ITS SUBSIDIARIES. POSITRONIC BELIEVES THE DATA ON THIS DRAWING TO BE RELIABLE. SINCE THE TECHNICAL INFORMATION IS GIVEN FREE OF CHARGE, THE USER EMPLOYS SUCH INFORMATION AT HIS OWN DISCRETION AND RISK. POSITRONIC ASSUMES NO RESPONSIBILITY FOR RESULTS OBTAINED OR DAMAGES INCURRED FROM USE OF SUCH INFORMATION IN WHOLE OR IN PART.

DATE	REV	REVISION RECORD	APP	DR	CK
4-28-01	NC	ECO 17667	TK	YK	JG
10-4-05	A	ECO 24777	TK	LO	TK
2-26-10	B	ECO 32163	COLE	ME	COLE



NOTES:

- MATERIALS AND FINISHES:  
 INSULATORS - GLASS FILLED POLYESTER PER ASTM D5927, UL 94V-0, BLUE COLOR.  
 SIGNAL CONTACTS - COPPER ALLOY WITH GOLD FLASH OVER NICKEL.  
 POWER CONTACTS - COPPER ALLOY WITH GOLD FLASH OVER NICKEL.  
 SHELLS - STEEL WITH ZINC PLATE AND DICHROMATE SEAL.  
 SPACER - STEEL WITH ZINC PLATE AND DICHROMATE SEAL.
- DETAILED PRODUCT, ELECTRICAL, AND MECHANICAL INFORMATION IS AVAILABLE IN THE LATEST CBD PRODUCT PUBLICATION. VISIT [CONNECTPOSITRONIC.COM/PRODUCTS/1/STANDARD DENSITY COMBO](http://CONNECTPOSITRONIC.COM/PRODUCTS/1/STANDARD DENSITY COMBO) -D/ OR [CONNECTPOSITRONIC.COM](http://CONNECTPOSITRONIC.COM)
- DIMENSIONS ARE IN INCHES [MILLIMETERS].



		<b>POSITRONIC INDUSTRIES INC.</b> www.connectpositronic.com		FSCM 28198
DECIMAL TOL. $\pm 0.015$ [0.38]	CBD SERIES	SCALE N.T.S.	DRAWN BY Y. KELLEYBREW	APPROVED BY T. KEPLEY
TITLE <b>CBD13W6M93SOV30</b>		DATE 4-27-01	DRAWING NUMBER SK3733	REV. B