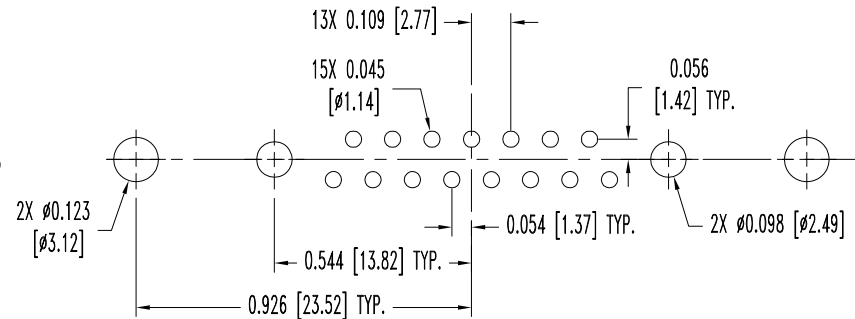
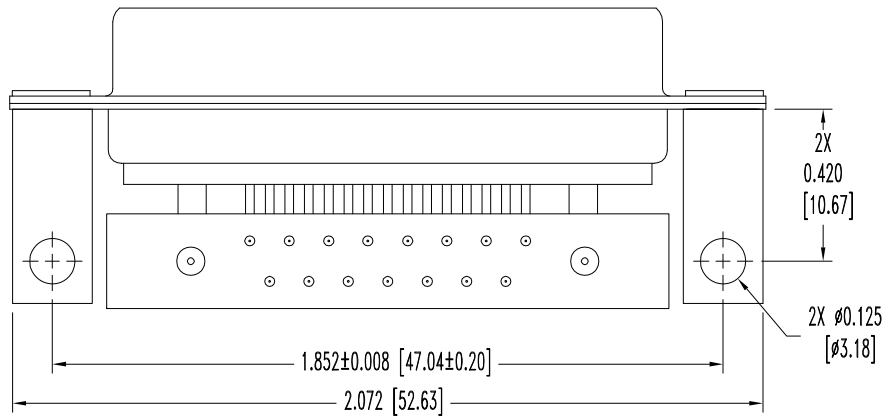
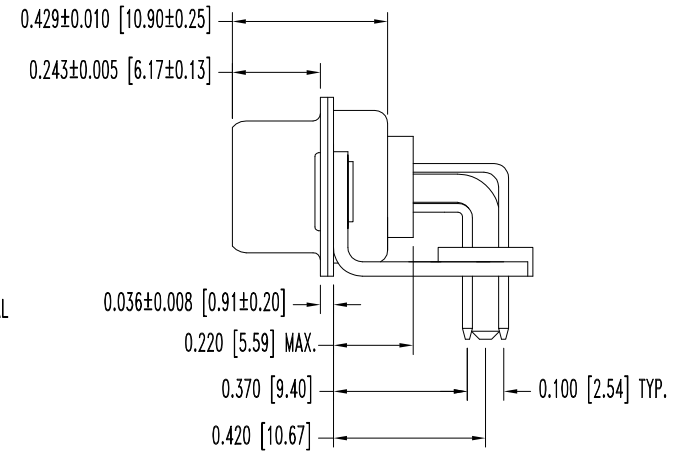
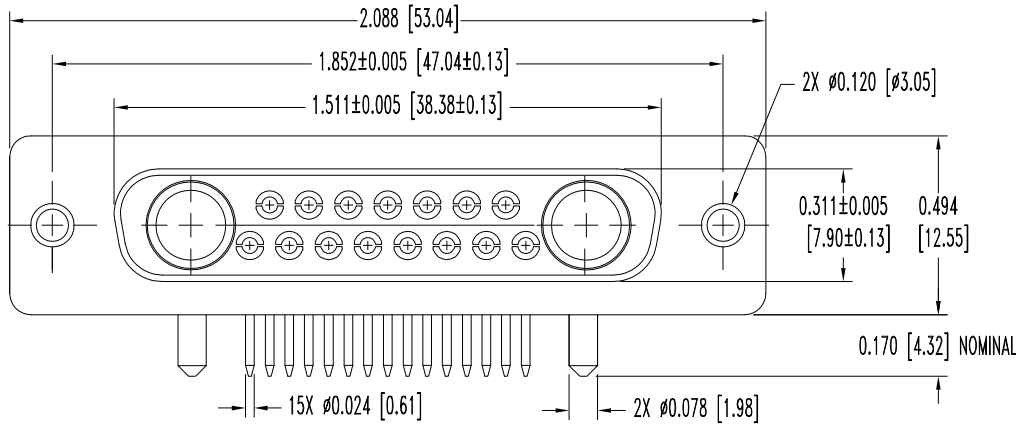


THIS DRAWING CONTAINS INFORMATION PROPRIETARY TO POSITRONIC IND. INC. ANY REPRODUCTION, DISCLOSURE OR USE OF THIS DRAWING IS EXPRESSLY PROHIBITED, EXCEPT AS POSITRONIC IND. INC. MAY OTHERWISE AGREE IN WRITING.

DATE	REV	REVISION RECORD	APP	DR	CK
8-16-02	NC	ECO 19893	RCW	YK	TK
2-28-10	A	ECO 32163	COLE	ME	COLE



NOTES:

1. MATERIALS AND FINISHES:

- INSULATORS - GLASS FILLED POLYESTER PER ASTM D5927, UL 94V-0, BLUE COLOR.
- SIGNAL CONTACTS: PHOSPHOR BRONZE, GOLD FLASH OVER NICKEL PLATE.
- POWER CONTACTS: BRASS, GOLD FLASH OVER NICKEL PLATE.
- SHELLS: STEEL, TIN PLATE.
- MOUNTING BRACKETS: BRASS, TIN PLATE.

2. DETAILED PRODUCT, ELECTRICAL, AND MECHANICAL

INFORMATION IS AVAILABLE IN THE LATEST CBD PRODUCT PUBLICATION. VISIT CONNECTPOSITRONIC.COM/PRODUCTS/1/STANDARDENSITYCOMBO -D/ OR CONNECTPOSITRONIC.COM

3. DIMENSIONS ARE IN INCHES [MILLIMETERS].

P.C. BOARD HOLE PATTERN

	POSITRONIC INDUSTRIES INC. SPRINGFIELD, MISSOURI 65801	
	DECIMAL TOL. ± 0.015 [0.38]	TITLE CBD SERIES
ANGULAR TOL. $\pm 5^\circ$	DATE 8-16-02	DRAWING NUMBER SK4606
DRAWN BY Y. KELLEYBREW APPROVED BY RCW		REV. A
CBD17W2F75R6000		