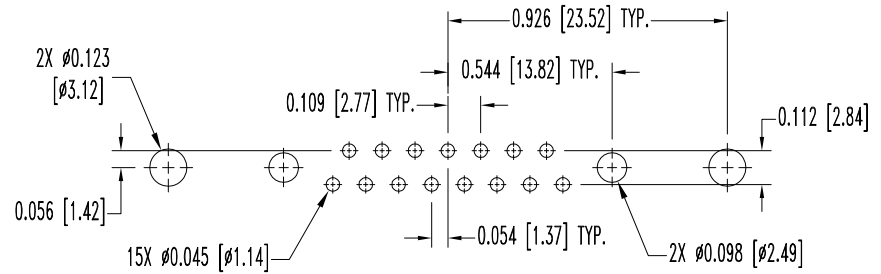
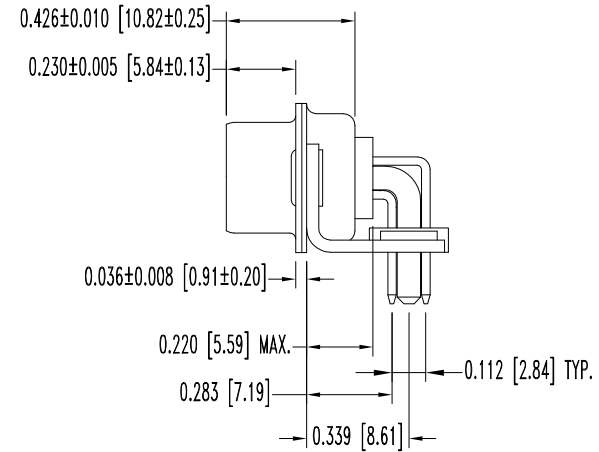
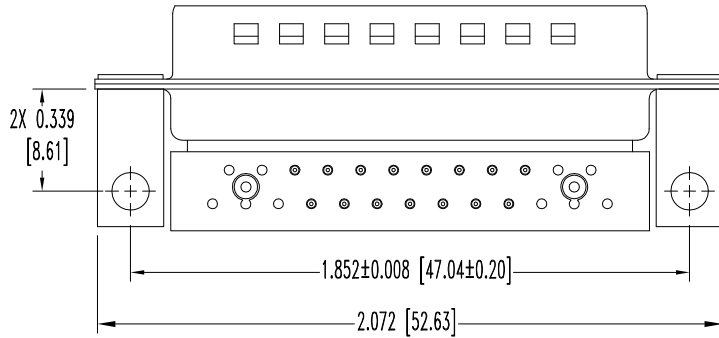
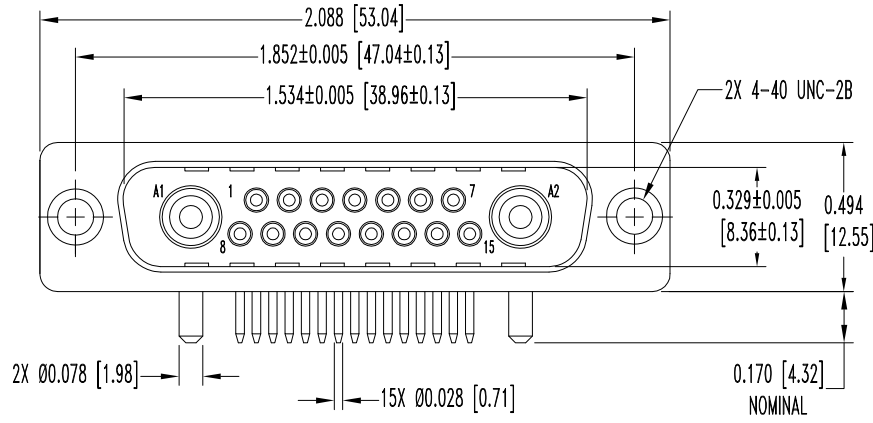


THIS DRAWING CONTAINS INFORMATION PROPRIETARY TO POSITRONIC AND ITS SUBSIDIARIES. POSITRONIC BELIEVES THE DATA ON THIS DRAWING TO BE RELIABLE. SINCE THE TECHNICAL INFORMATION IS GIVEN FREE OF CHARGE, THE USER EMPLOYS SUCH INFORMATION AT HIS OWN DISCRETION AND RISK. POSITRONIC ASSUMES NO RESPONSIBILITY FOR RESULTS OBTAINED OR DAMAGES INCURRED FROM USE OF SUCH INFORMATION IN WHOLE OR IN PART.


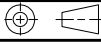
DATE	REV	REVISION RECORD	APP	DR	CK
1-17-06	NC	ECO 25356	RCW	YK	COLE
3-1-10	A	ECO 32163	COLE	ME	COLE



CONTACT HOLE PATTERN

NOTES:

- MATERIALS AND FINISHES:
 INSULATORS - GLASS FILLED POLYESTER PER ASTM D5927, UL 94V-0, BLUE COLOR.
 SIGNAL CONTACTS: BRASS ALLOY WITH GOLD FLASH OVER NICKEL PLATE.
 POWER CONTACTS: BRASS ALLOY WITH GOLD FLASH OVER NICKEL PLATE.
 SHELLS: STEEL, TIN PLATED AND DIMPLED.
 MOUNTING BRACKETS: BRASS, WITH TIN PLATE.
 THREADED RIVETS: BRASS, TIN PLATE.
 ALIGNMENT BAR: GLASS FILLED NYLON, COLOR BLACK.
- DETAILED PRODUCT, ELECTRICAL, AND MECHANICAL INFORMATION IS AVAILABLE IN THE LATEST CBD PRODUCT PUBLICATION. VISIT CONNECTPOSITRONIC.COM/PRODUCTS/1/STANDARD DENSITY COMBO -D/ OR CONNECTPOSITRONIC.COM
- CONNECTORS ARE ROHS COMPLIANT PER ROHS DIRECTIVE 2002/95/EC OF 27 JAN 2003.
- DIMENSIONS ARE IN INCHES [MILLIMETERS].

 POSITRONIC INDUSTRIES INC. www.connectpositronic.com		FSCM 28198		
 DECIMAL TOL. ± 0.015 [0.38]		CBD SERIES	SCALE N.T.S.	DRAWN BY YK
		APPROVED BY RCW		
		TITLE CBD17W2M55R700Z/AA		
ANGULAR TOL. ± 5°		DATE 1-17-06	DRAWING NUMBER SK6958	REV. A