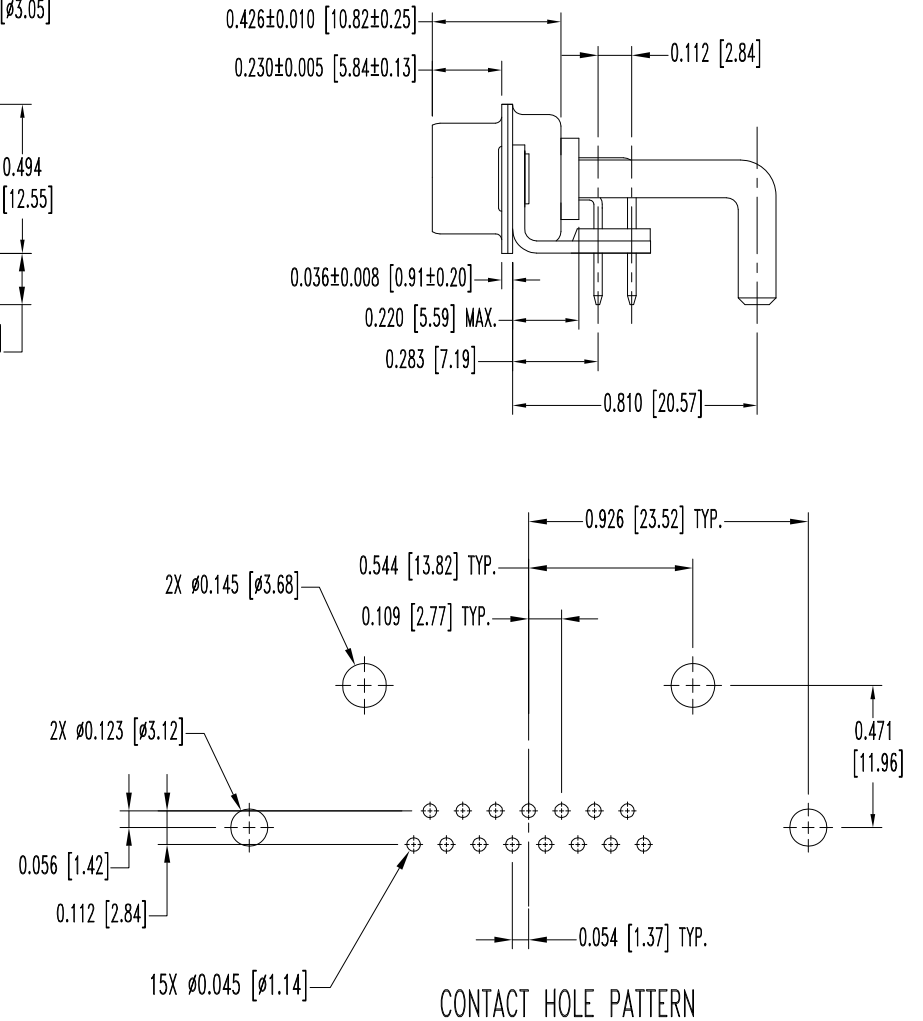
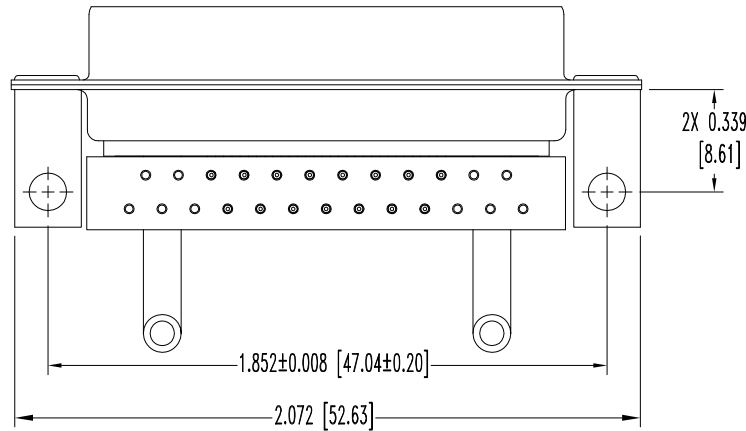
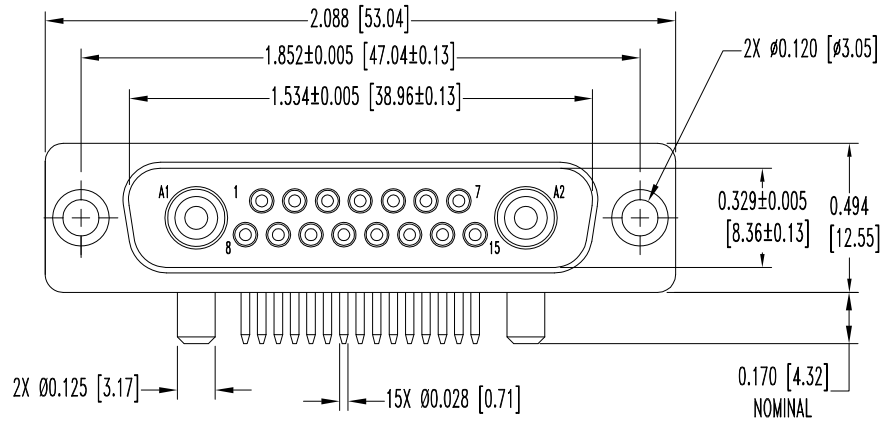


THIS DRAWING CONTAINS INFORMATION PROPRIETARY TO POSITRONIC AND ITS SUBSIDIARIES. POSITRONIC BELIEVES THE DATA ON THIS DRAWING TO BE RELIABLE. SINCE THE TECHNICAL INFORMATION IS GIVEN FREE OF CHARGE, THE USER EMPLOYS SUCH INFORMATION AT HIS OWN DISCRETION AND RISK. POSITRONIC ASSUMES NO RESPONSIBILITY FOR RESULTS OBTAINED OR DAMAGES INCURRED FROM USE OF SUCH INFORMATION IN WHOLE OR IN PART.

DATE	REV	REVISION RECORD	APP	DR	CK
11-13	06	NC	RCW	ME	TK
3-2	10	A	COLE	ME	COLE



NOTES:

- MATERIALS AND FINISHES:**  
 INSULATOR: GLASS FILLED POLYESTER PER ASTM D5927, UL 94V-0, COLOR: BLUE.  
 SIGNAL CONTACTS: PRECISION MACHINED BRASS ALLOY WITH GOLD FLASH OVER NICKEL FINISH.  
 POWER CONTACTS: MACHINED OF HIGH CONDUCTIVITY COPPER ALLOY WITH GOLD FLASH OVER NICKEL FINISH.  
 SHELLS: STEEL, ZINC FINISH WITH CHROMATE SEAL.  
 MOUNTING BRACKETS: BRASS, ZINC FINISH WITH CHROMATE SEAL.  
 ALIGNMENT BAR: GLASS FILLED NYLON, COLOR BLACK.
- DETAILED PRODUCT, ELECTRICAL, AND MECHANICAL INFORMATION IS AVAILABLE IN THE LATEST CBD PRODUCT PUBLICATION. VISIT [CONNECTPOSITRONIC.COM/PRODUCTS/1/STANDARD DENSITY COMBO](http://CONNECTPOSITRONIC.COM/PRODUCTS/1/STANDARD DENSITY COMBO) -D/ OR [CONNECTPOSITRONIC.COM](http://CONNECTPOSITRONIC.COM)**
- DIMENSIONS ARE IN INCHES [MILLIMETERS].**

	<b>POSITRONIC INDUSTRIES INC.</b> www.connectpositronic.com		FSCM 28198
	CBD SERIES	SCALE N.T.S.	DRAWN BY M. ENEA
DECIMAL TOL. ± 0.015 [0.38]	TITLE CBD17W2M57R6000		
ANGULAR TOL. ± 5°	DATE 11-13-06	DRAWING NUMBER SK8114	REV. A
		APPROVED BY TK	