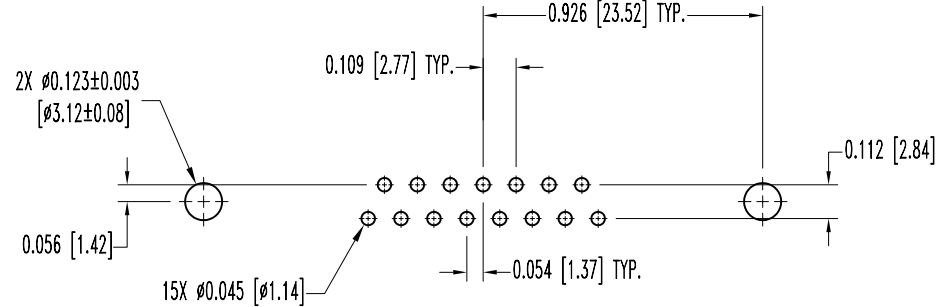
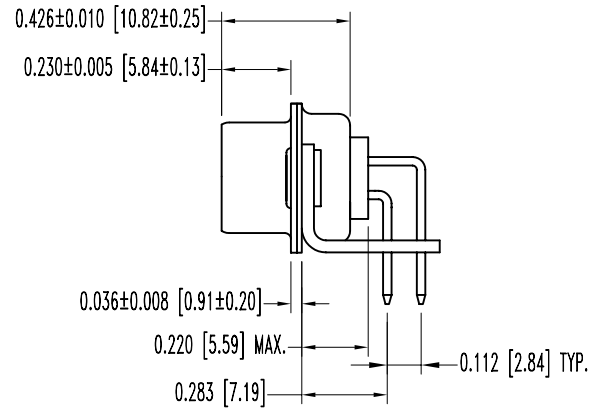
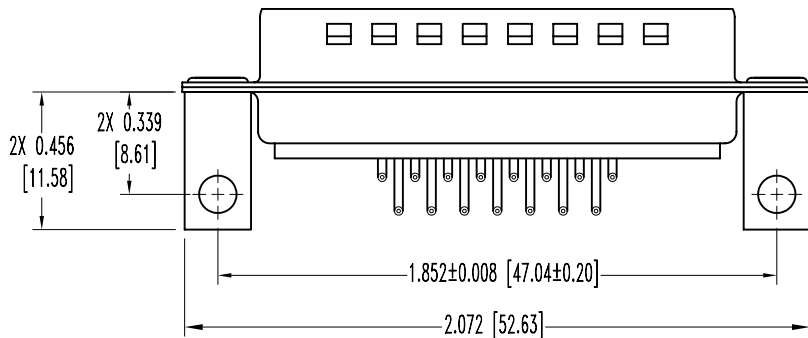
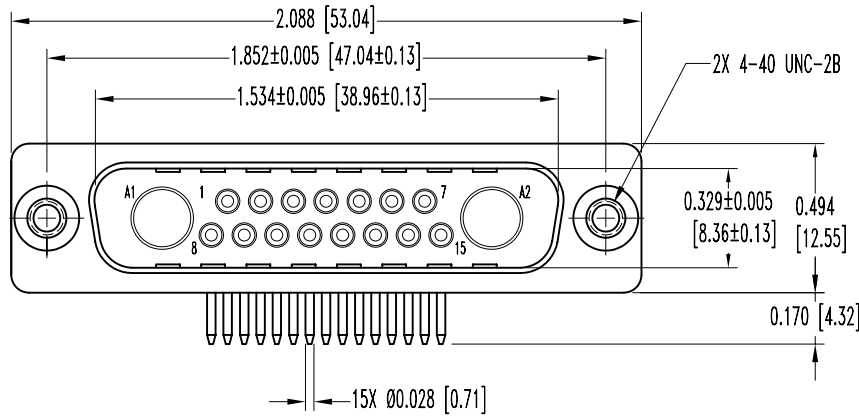


POSITRONIC INDUSTRIES BELIEVES THE DATA ON THIS DRAWING TO BE RELIABLE, SINCE THE TECHNICAL INFORMATION IS GIVEN FREE OF CHARGE, THE USER EMPLOYS SUCH INFORMATION AT HIS OWN DISCRETION AND RISK. POSITRONIC INDUSTRIES ASSUMES NO RESPONSIBILITY FOR RESULTS OBTAINED OR DAMAGES INCURRED FROM USE OF SUCH INFORMATION IN WHOLE OR IN PART.

DATE	REV	REVISION RECORD	APP	DR	CK
4-7-06	NC	ECO 25791		YK	



CONTACT HOLE PATTERN

NOTES:

- MATERIALS AND FINISHES:  
 INSULATOR: GLASS FILLED POLYESTER PER MIL-M-24519 UL 94V-0, COLOR BLUE.  
 CONTACTS: BRASS ALLOY WITH GOLD FLASH OVER NICKEL PLATE.  
 SHELLS: STEEL TIN PLATED AND DIMPLED.  
 MOUNTING BRACKETS: BRASS WITH TIN PLATE.  
 THREADED RIVETS: BRASS WITH TIN PLATE.
- ELECTRICAL CHARACTERISTICS:  
 CONTACT CURRENT RATING: 7.5 AMPERES NOMINAL.  
 INITIAL CONTACT RESISTANCE: 0.008 OHMS MAXIMUM.  
 INSULATOR RESISTANCE: 5 G OHMS.  
 WORKING VOLTAGE: 300 V r.m.s.
- TEMPERATURE RANGE: -55°C TO +125°C.
- CONNECTORS ARE ROHS COMPLIANT PER ROHS DIRECTIVE 2002/95/EC OF 27 JAN 2003.
- DIMENSIONS ARE IN INCHES [MILLIMETERS].

	<b>POSITRONIC INDUSTRIES INC.</b> www.connectpositronic.com		SCALE	DRAWN BY
	CBD SERIES		N.T.S.	YK
DECIMAL TOL. ± 0.015 [0.38]	TITLE CBD17W2M5R400Z/AA			
ANGULAR TOL. ± 5°	DATE 4-7-06	DRAWING NUMBER SK7250	REV. NC	APPROVED BY