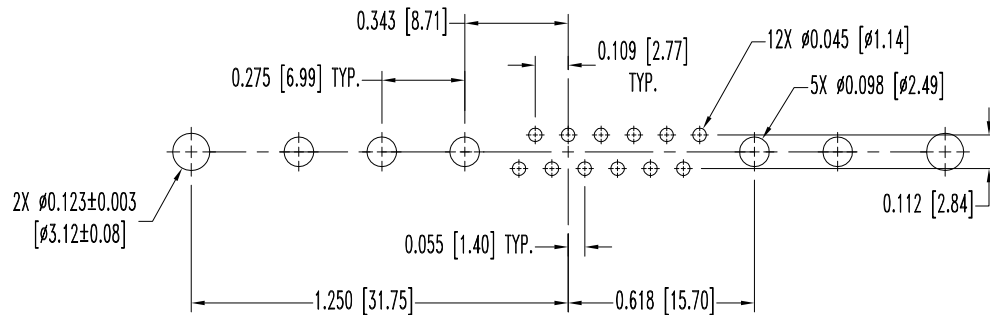
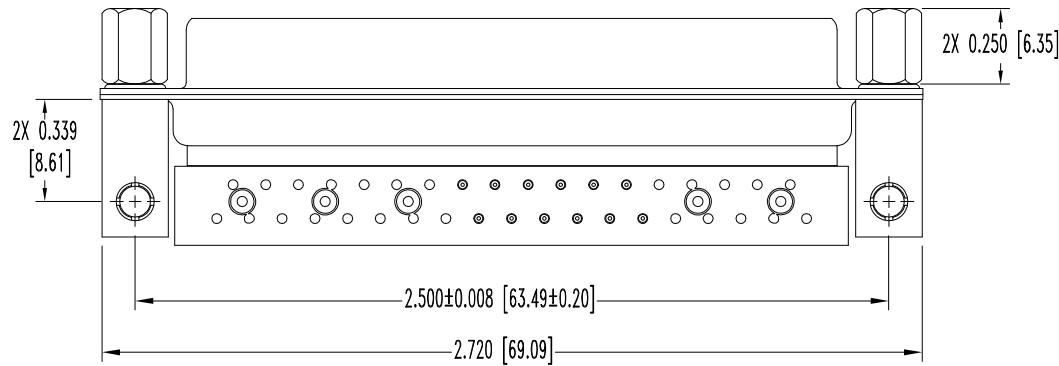
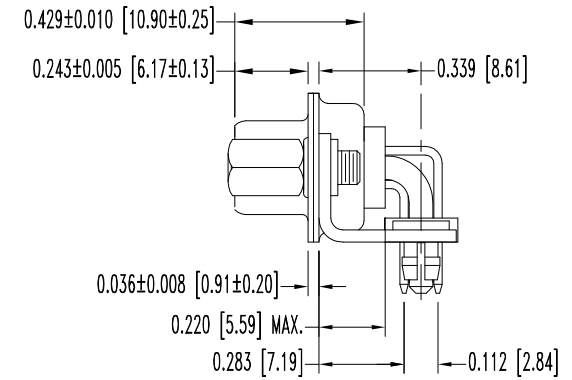
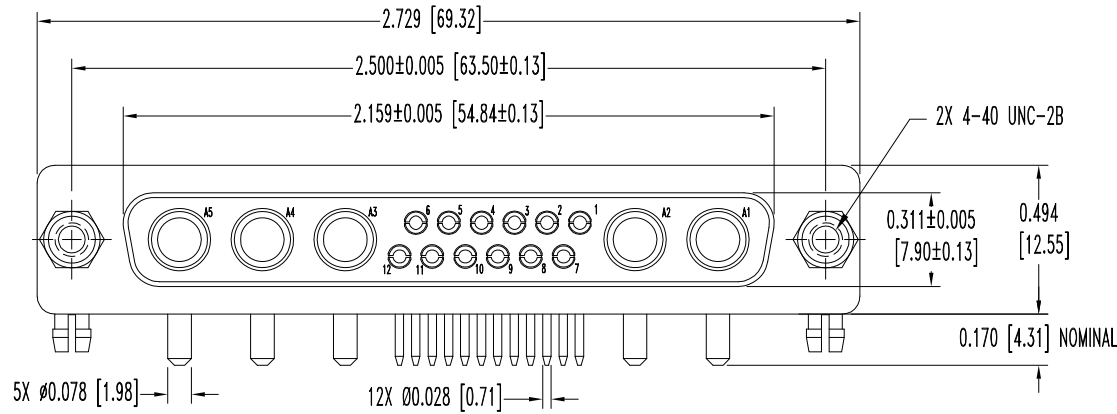


THIS DRAWING CONTAINS INFORMATION PROPRIETARY TO POSITRONIC IND. INC. ANY REPRODUCTION, DISCLOSURE OR USE OF THIS DRAWING IS EXPRESSLY PROHIBITED, EXCEPT AS POSITRONIC IND. INC. MAY OTHERWISE AGREE IN WRITING.

SK8990

DATE	REV	REVISION RECORD	APP	DR	CK
10-10-07	NC	ECO 28503	RCW	YK	COLE
3-1-10	A	ECO 32171	COLE	ME	COLE



CONTACT HOLE PATTERN

NOTES:

- MATERIALS AND FINISHES:
 INSULATOR: GLASS FILLED POLYESTER PER ASTM D5927, UL 94V-0, BLUE COLOR.
 SIGNAL CONTACTS: PRECISION MACHINED HIGH TENSILE PHOSPHOR BRONZE, GOLD FLASH OVER NICKEL.
 POWER CONTACTS: MACHINED OF HIGH CONDUCTIVITY COPPER ALLOY, GOLD FLASH OVER NICKEL.
 SHELLS: STEEL, TIN PLATE.
 MOUNTING BRACKETS: BRASS, TIN PLATE.
 ALIGNMENT BAR: GLASS FILLED NYLON, COLOR BLACK.
 RIVETS: BRASS, ZINC PLATE WITH CHROMATE SEAL.
 PUSH-ON FASTENERS: BERYLLIUM COPPER, TIN PLATE.
 JACKSCREWS: STEEL, ZINC PLATE WITH CHROMATE SEAL.
- DETAILED PRODUCT, ELECTRICAL, AND MECHANICAL INFORMATION IS AVAILABLE IN THE LATEST CBD PRODUCT PUBLICATION. VISIT CONNECTPOSITRONIC.COM/PRODUCTS/1/STANDARDENSITYCOMBO -D/ OR CONNECTPOSITRONIC.COM
- DIMENSIONS ARE IN INCHES [MILLIMETERS].

 POSITRONIC INDUSTRIES INC. SPRINGFIELD, MISSOURI 65801		SCALE	DRAWN BY
		N.T.S.	YK
DECIMAL TOL.	CBD SERIES	APPROVED BY	RCW
± 0.015 [0.38]		TITLE	CBD17W5F55R7NTX
ANGULAR TOL.	DATE	DRAWING NUMBER	REV.
± 5°	10-10-07	SK8990	A