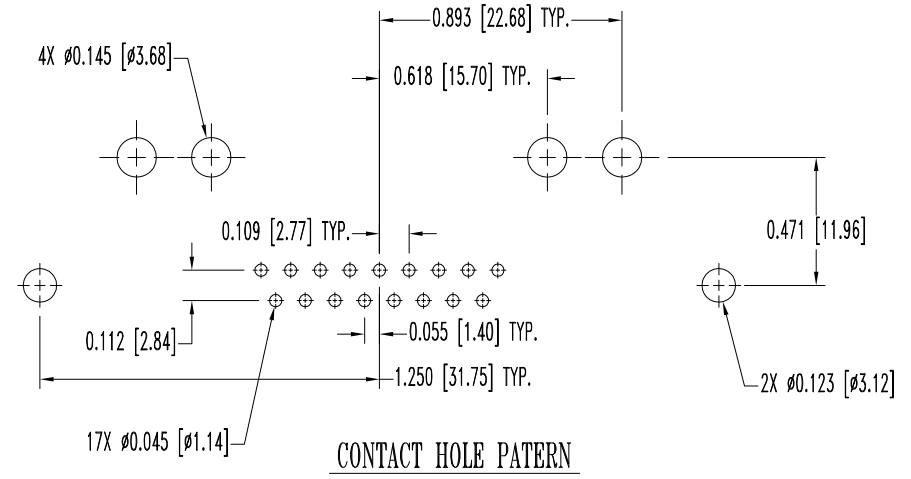
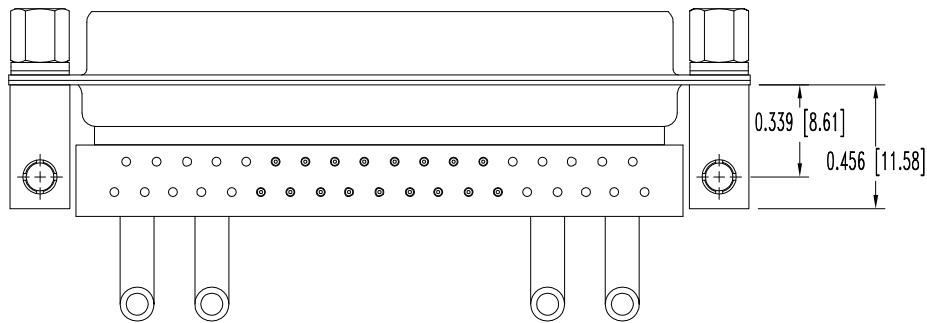
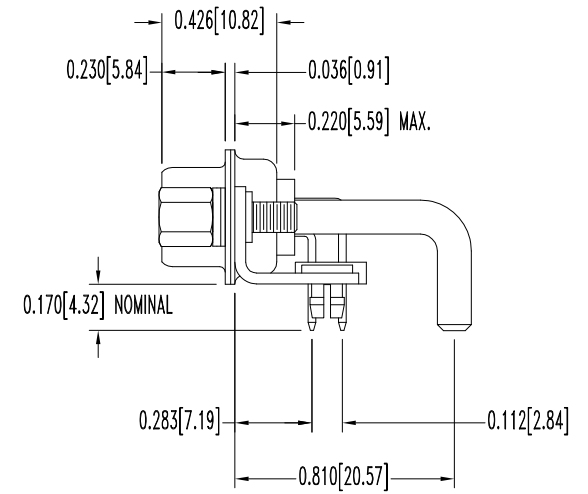
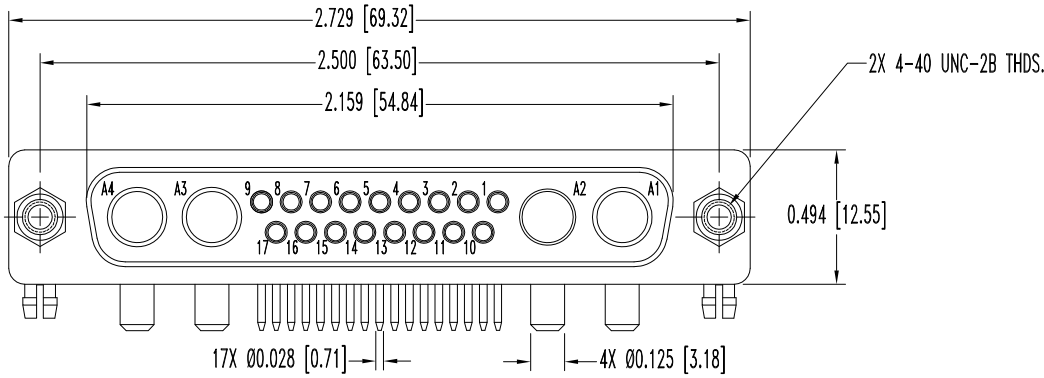


THIS DRAWING CONTAINS INFORMATION PROPRIETARY TO POSITRONIC AND ITS SUBSIDIARIES. POSITRONIC BELIEVES THE DATA ON THIS DRAWING TO BE RELIABLE. SINCE THE TECHNICAL INFORMATION IS GIVEN FREE OF CHARGE, THE USER EMPLOYS SUCH INFORMATION AT HIS OWN DISCRETION AND RISK. POSITRONIC ASSUMES NO RESPONSIBILITY FOR RESULTS OBTAINED OR DAMAGES INCURRED FROM USE OF SUCH INFORMATION IN WHOLE OR IN PART.

| DATE    | REV | REVISION RECORD | APP  | DR | CK   |
|---------|-----|-----------------|------|----|------|
| 12-7-00 | NC  | ECO 17117       | RCW  | YK | TK   |
| 3-2-10  | A   | ECO 32181       | COLE | BS | COLE |
|         |     |                 |      |    |      |



NOTES:

1. MATERIALS AND FINISHES:

INSULATOR: GLASS FILLED POLYESTER PER ASTM-D5927, UL 94V-0, COLOR: BLUE.  
 CONTACTS: PRECISION MACHINED COPPER ALLOY, GOLD FLASH OVER NICKEL PLATE.  
 SHELLS: STEEL WITH TIN PLATE.  
 BRACKETS: BRASS WITH TIN PLATE.  
 PUSH FASTENERS: BERYLLIUM COPPER WITH TIN PLATE.

2. DETAILED PRODUCT, MECHANICAL, AND ELECTRICAL INFORMATION IS AVAILABLE IN THE LATEST STANDARD DENSITY COMBO-D PRODUCT PUBLICATION. VISIT [CONNECTPOSITRONIC.COM/PRODUCTS/1/STANDARD DENSITY COMBO-D OR CONNECTPOSITRONIC.COM](http://CONNECTPOSITRONIC.COM/PRODUCTS/1/STANDARD DENSITY COMBO-D OR CONNECTPOSITRONIC.COM)

3. DIMENSIONS ARE IN INCHES [MILLIMETERS].

|                               |  |                          |                           |
|-------------------------------|--|--------------------------|---------------------------|
|                               | <b>POSITRONIC INDUSTRIES INC.</b><br>www.connectpositronic.com |                          | FSCM 28198                |
|                               | DECIMAL TOL.<br>$\pm 0.015$ [0.38]                             | CBD SERIES               | SCALE<br>N.T.S.           |
| ANGULAR TOL.<br>$\pm 5^\circ$ | DATE<br>12-7-00  | DRAWING NUMBER<br>SK3505 | APPROVED BY<br>R WILLIAMS |
| TITLE<br>CBD21WA4F57R7NT2X    |  |                          |                           |