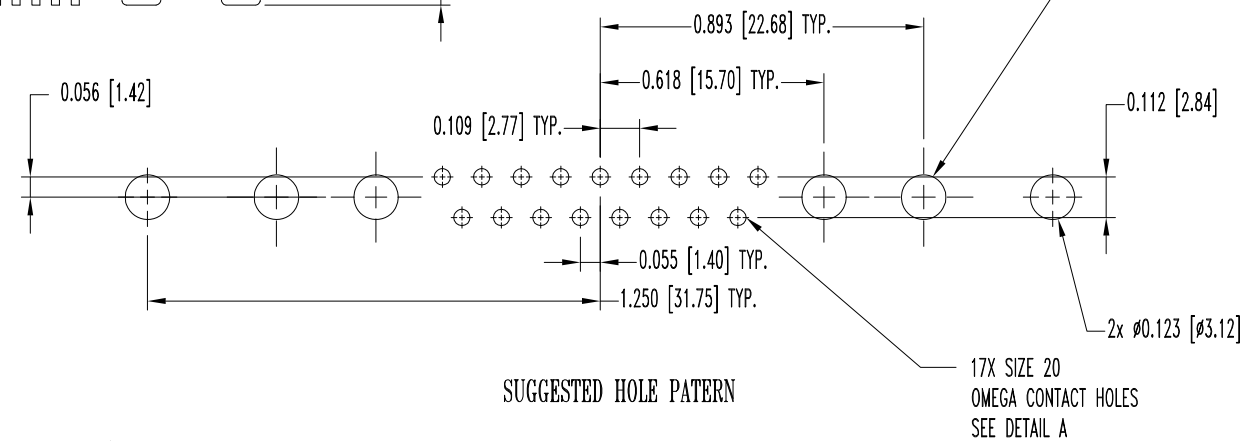
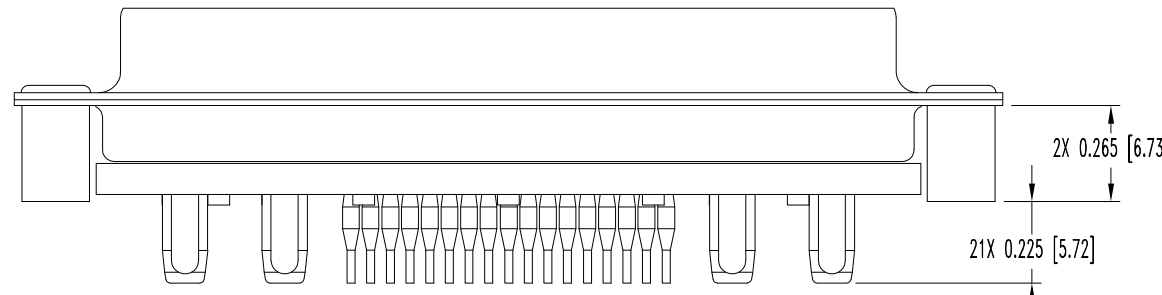
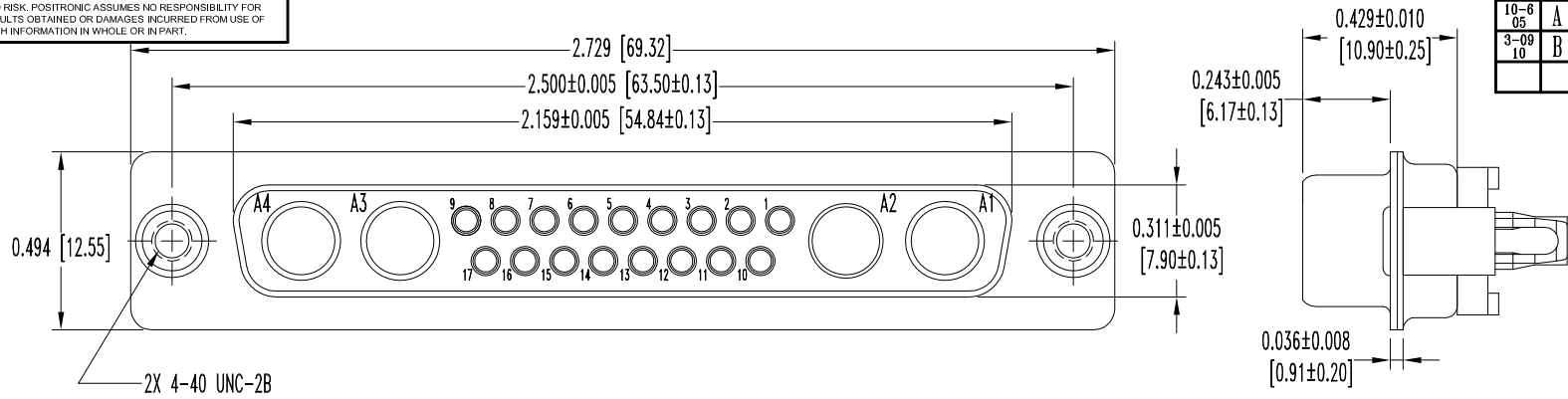


THIS DRAWING CONTAINS INFORMATION PROPRIETARY TO POSITRONIC AND ITS SUBSIDIARIES. POSITRONIC BELIEVES THE DATA ON THIS DRAWING TO BE RELIABLE. SINCE THE TECHNICAL INFORMATION IS GIVEN FREE OF CHARGE, THE USER EMPLOYS SUCH INFORMATION AT HIS OWN DISCRETION AND RISK. POSITRONIC ASSUMES NO RESPONSIBILITY FOR RESULTS OBTAINED OR DAMAGES INCURRED FROM USE OF SUCH INFORMATION IN WHOLE OR IN PART.

DATE	REV	REVISION RECORD	APP	DR	CK
8-29-01	NC	ECO 18226	RCW	ME	COLE
10-6-05	A	ECO 24787	TK	TH	TK
3-09-10	B	ECO 32181	COLE	BS	COLE

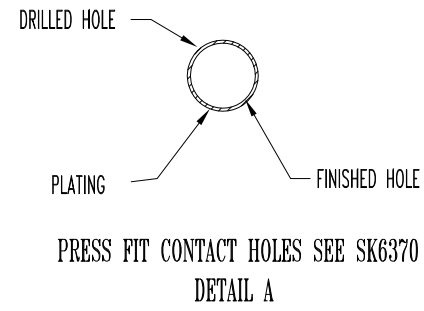


SUGGESTED HOLE PATTERN

4X SIZE 8 BI-SPRING CONTACT HOLES SEE DETAIL A

17X SIZE 20 OMEGA CONTACT HOLES SEE DETAIL A

- NOTES:
- MATERIALS AND FINISHES:  
INSULATOR: GLASS FILLED POLYESTER PER ASTM-D5927, UL 94V-0, COLOR: BLUE.  
CONTACTS: PRECISION MACHINED COPPER ALLOY, GOLD FLASH OVER NICKEL PLATE.  
SHELLS AND SPACERS: STEEL, ZINC PLATE WITH CHROMATE SEAL.
  - DETAILED PRODUCT, MECHANICAL, AND ELECTRICAL INFORMATION IS AVAILABLE IN THE LATEST STANDARD DENSITY COMBO-D PRODUCT PUBLICATION. VISIT [CONNECTPOSITRONIC.COM/PRODUCTS/1/STANDARD DENSITY COMBO-D](http://CONNECTPOSITRONIC.COM/PRODUCTS/1/STANDARD DENSITY COMBO-D) OR [CONNECTPOSITRONIC.COM](http://CONNECTPOSITRONIC.COM).
  - DIMENSIONS ARE IN INCHES [MILLIMETERS].



 <b>POSITRONIC INDUSTRIES INC.</b> <a href="http://www.connectpositronic.com">www.connectpositronic.com</a>		FSCM 28198	
		SCALE N.T.S.	DRAWN BY M. ENEA
DECIMAL TOL. ± 0.015 [0.38]	CBD SERIES	APPROVED BY RCW	
TITLE CBD21WA4F93S000			
ANGULAR TOL. ± 5°	DATE 8-29-01	DRAWING NUMBER SK3905	REV. B