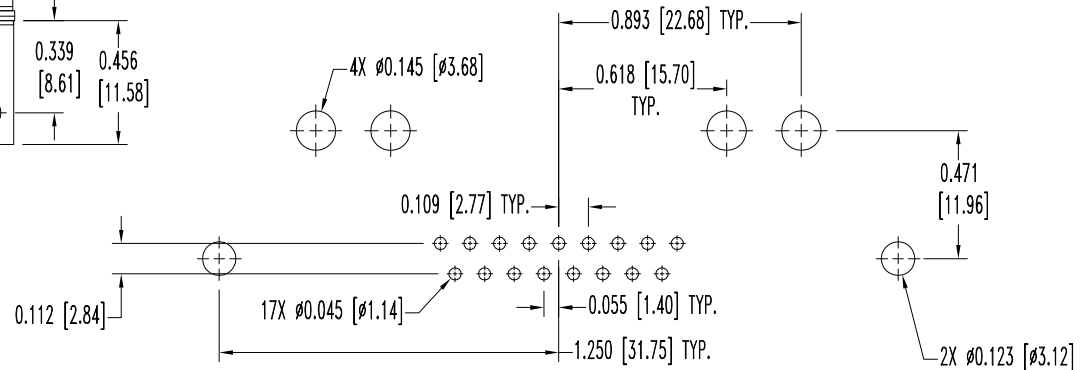
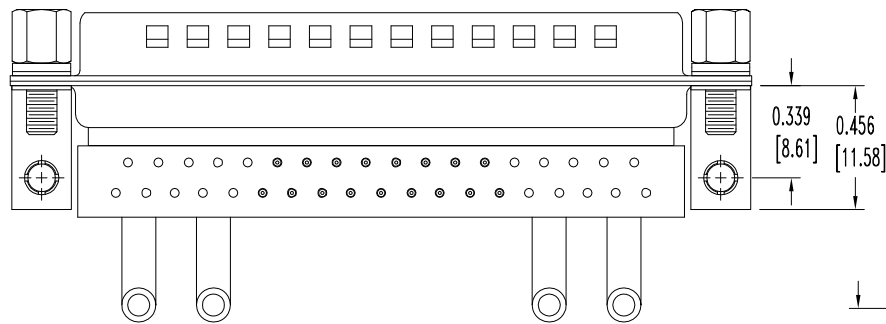
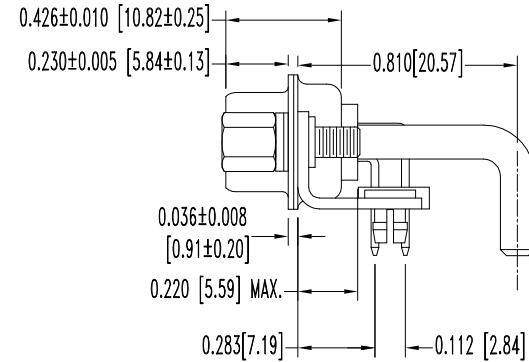
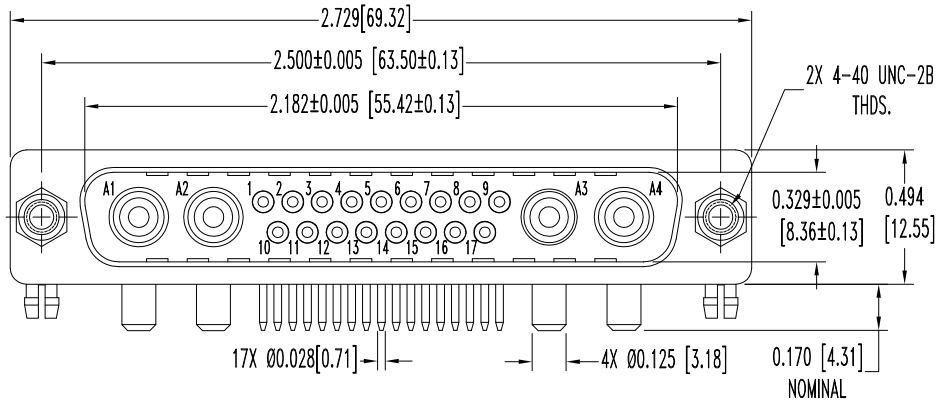


THIS DRAWING CONTAINS INFORMATION PROPRIETARY TO POSITRONIC AND ITS SUBSIDIARIES. POSITRONIC BELIEVES THE DATA ON THIS DRAWING TO BE RELIABLE. SINCE THE TECHNICAL INFORMATION IS GIVEN FREE OF CHARGE, THE USER EMPLOYS SUCH INFORMATION AT HIS OWN DISCRETION AND RISK. POSITRONIC ASSUMES NO RESPONSIBILITY FOR RESULTS OBTAINED OR DAMAGES INCURRED FROM USE OF SUCH INFORMATION IN WHOLE OR IN PART.

DATE	REV	REVISION RECORD	APP	DR	CK
12-7-00	NC	ECO 17117	RCW	YK	TK
3-3-10	A	ECO 32188	TK	ME	TK



CONTACT HOLE PATTERN

NOTES:

- MATERIALS AND FINISHES:
 INSULATOR: GLASS FILLED POLYESTER PER ASTM D5927, UL 94V-0, BLUE COLOR.
 SIGNAL CONTACTS: BRASS ALLOY, GOLD FLASH OVER NICKEL PLATE.
 POWER CONTACTS: COPPER ALLOY, GOLD FLASH OVER NICKEL PLATE.
 SHELLS: STEEL, TIN PLATE.
 MOUNTING BRACKETS: BRASS, TIN PLATE.
 PUSH-ON FASTENERS: BERYLLIUM COPPER, TIN PLATE.
- DETAILED PRODUCT, ELECTRICAL, AND MECHANICAL INFORMATION IS AVAILABLE IN THE LATEST CBD PRODUCT PUBLICATION. VISIT CONNECTPOSITRONIC.COM/PRODUCTS/1/STANDARD DENSITY COMBO -D/ OR CONNECTPOSITRONIC.COM
- DIMENSIONS ARE IN INCHES [MILLIMETERS].

	POSITRONIC INDUSTRIES INC. www.connectpositronic.com		FSCM 28198
	DECIMAL TOL. ± 0.015 [0.38]	CBD SERIES	SCALE N.T.S.
ANGULAR TOL. $\pm 5^\circ$	DATE 12-7-00	DRAWING NUMBER SK3504	APPROVED BY RCW
TITLE CBD21WA4M57R7NT2Z			
			REV. A