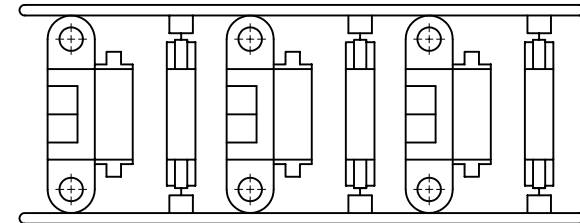
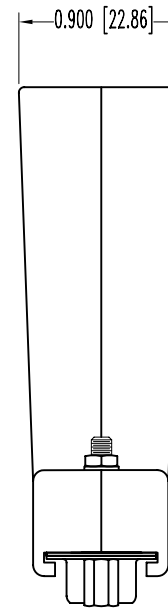
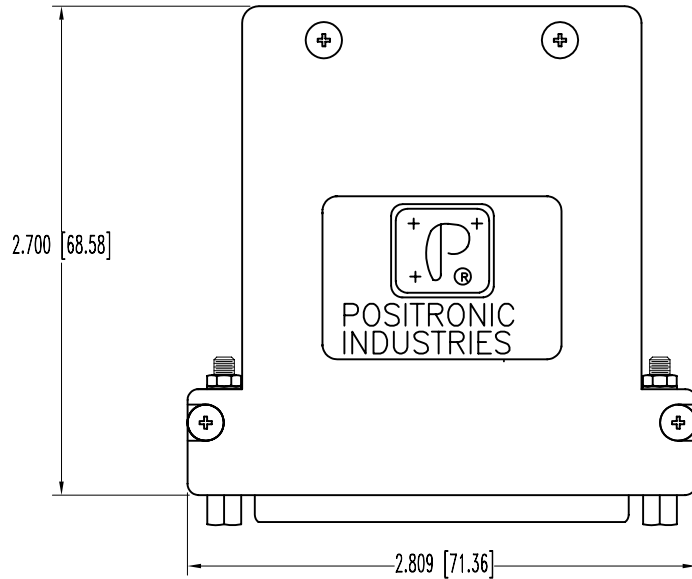


SK7595

POSITRONIC INDUSTRIES BELIEVES THE DATA ON THIS DRAWING TO BE RELIABLE. SINCE THE TECHNICAL INFORMATION IS GIVEN FREE OF CHARGE, THE USER EMPLOYS SUCH INFORMATION AT HIS OWN DISCRETION AND RISK. POSITRONIC INDUSTRIES ASSUMES NO RESPONSIBILITY FOR RESULTS OBTAINED OR DAMAGES INCURRED FROM USE OF SUCH INFORMATION IN WHOLE OR IN PART.

DATE	REV	REVISION RECORD	APP	DR	CK
6-14-06	NC	ECO 26165		YK	



INSERT TREE

INSERTS COME KITTED WITH HOODS.

NOTES:

1. MATERIAL AND FINISHES:

INSULATOR: GLASS FILLED POLYESTER PER MIL-M-24519, UL 94V-0, COLOR BLUE.
 SHELLS: STEEL, ZINC PLATE WITH DICHROMATE SEAL.
 HOOD: COMPOSITE, CONDUCTIVE VOLUME RESISTIVITY (1.0 OHM-CM MAX.), UL94V-0.
 ATTENUATION: 40+ DECIBELS.

JACKSCREWS: STEEL, ZINC PLATE WITH DICHROMATE SEAL.
 CABLE CLAMPS: STEEL, NICKEL PLATE.

CABLE CLAMP SCREWS: BRASS, ZINC PLATE WITH DICHROMATE SEAL.

COVER SCREWS: STAINLESS STEEL, PASSIVATE.


INSERT TREE: PBT(EM), BLACK.

2. ELECTRICAL CHARACTERISTICS:

CONTACT CURRENT RATING: 7.5 AMPERES NOMINAL.
 INITIAL CONTACT RESISTANCE: 0.008 OHMS MAXIMUM.
 INSULATOR RESISTANCE: 5 G OHMS.
 WORKING VOLTAGE: 300 V r.m.s.

3. TEMPERATURE RANGE: -55°C TO +125°C.

4. DIMENSIONS ARE IN INCHES [MILLIMETERS].

		POSITRONIC INDUSTRIES INC. www.connectpositronic.com	
		DECIMAL TOL. ± 0.015 [0.38]	TITLE CBD SERIES
DATE 6-14-06		DRAWING NUMBER SK7595	
ANGULAR TOL. ± 5°		REV. NC	