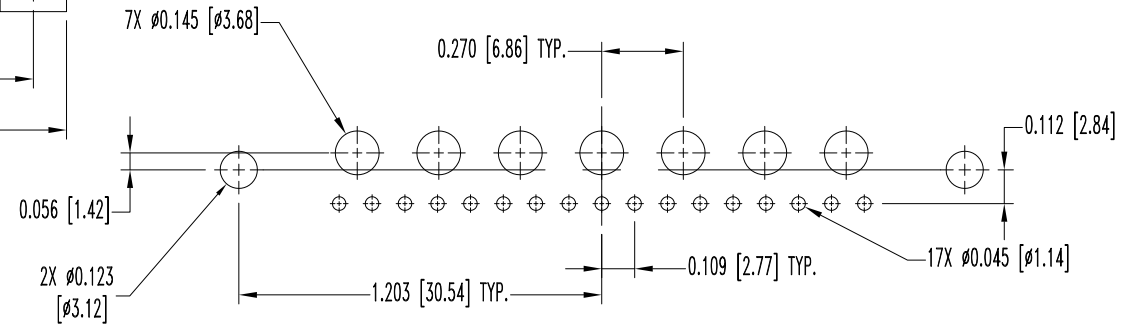
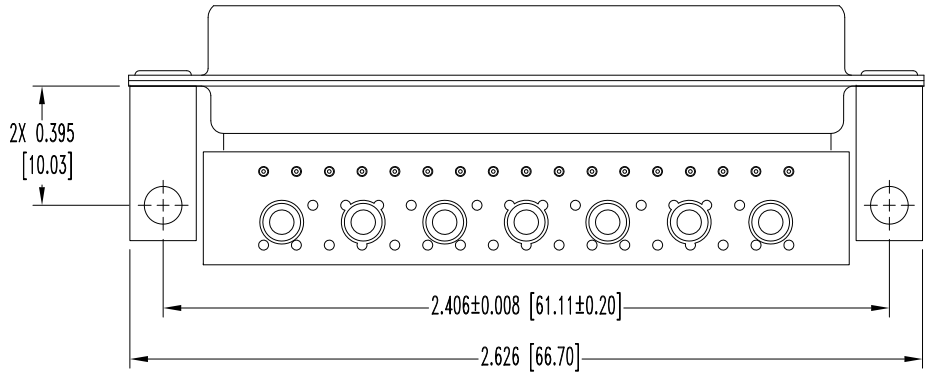
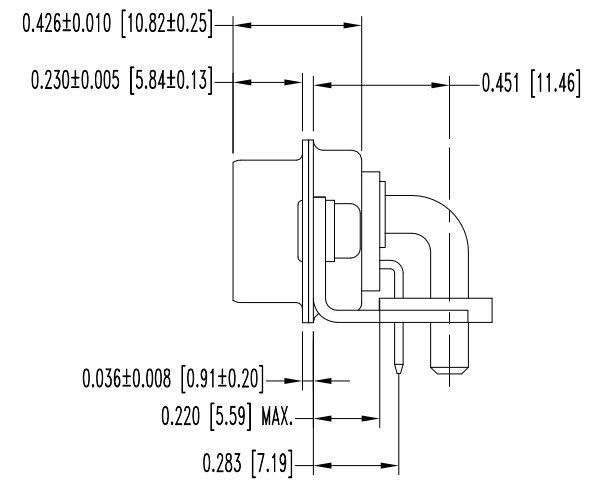
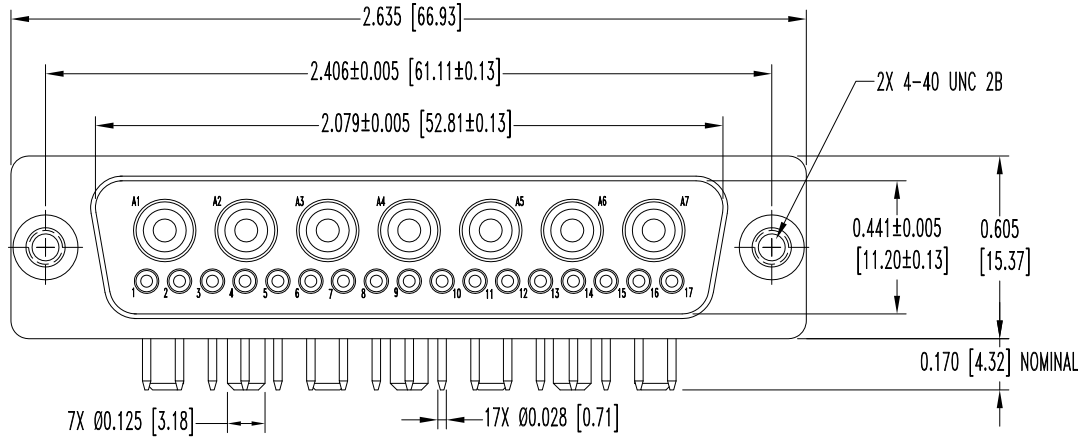


THIS DRAWING CONTAINS INFORMATION PROPRIETARY TO POSITRONIC AND ITS SUBSIDIARIES. POSITRONIC BELIEVES THE DATA ON THIS DRAWING TO BE RELIABLE, SINCE THE TECHNICAL INFORMATION IS GIVEN FREE OF CHARGE. THE USER EMPLOYS SUCH INFORMATION AT HIS OWN DISCRETION AND RISK. POSITRONIC ASSUMES NO RESPONSIBILITY FOR RESULTS OBTAINED OR DAMAGES INCURRED FROM USE OF SUCH INFORMATION IN WHOLE OR IN PART.

DATE	REV	REVISION RECORD	APP	DR	CK
7-13-10	NC	ECO 32716	TK	TK	TK



- NOTES:
- MATERIALS AND FINISHES:
 INSULATOR: GLASS FILLED POLYESTER PER ASTM-D5927, UL 94V-0, COLOR: BLUE.
 CONTACTS: PRECISION MACHINED COPPER ALLOY, GOLD FLASH OVER NICKEL PLATE.
 SHELLS: STEEL, ZINC PLATE WITH CHROMATE SEAL.
 MOUNTING BRACKETS: BRASS, ZINC PLATE WITH CHROMATE SEAL.
 CLINCH NUTS: BRASS, ZINC PLATE WITH CHROMATE SEAL.
 ALIGNMENT BAR: GLASS FILLED NYLON, COLOR: BLACK.
 - DETAILED PRODUCT, MECHANICAL, AND ELECTRICAL INFORMATION IS AVAILABLE IN THE LATEST STANDARD DENSITY COMBO-D PRODUCT PUBLICATION. VISIT CONNECTPOSITRONIC.COM/PRODUCTS/1/STANDARD DENSITY COMBO-D OR CONNECTPOSITRONIC.COM.
 - DIMENSIONS ARE IN INCHES [MILLIMETERS].

CONTACT HOLE PATTERN

	POSITRONIC INDUSTRIES INC. www.connectpositronic.com		FSCM 28198
	DECIMAL TOL. ± 0.015 [0.38]	CBD SERIES	SCALE N.T.S.
ANGULAR TOL. ± 5°	DATE 7-13-10	DRAWING NUMBER SK11648	REV. NC
TITLE CBD24W7M58R8000			
APPROVED BY T.KEPLEY		TITLE CBD24W7M58R8000	