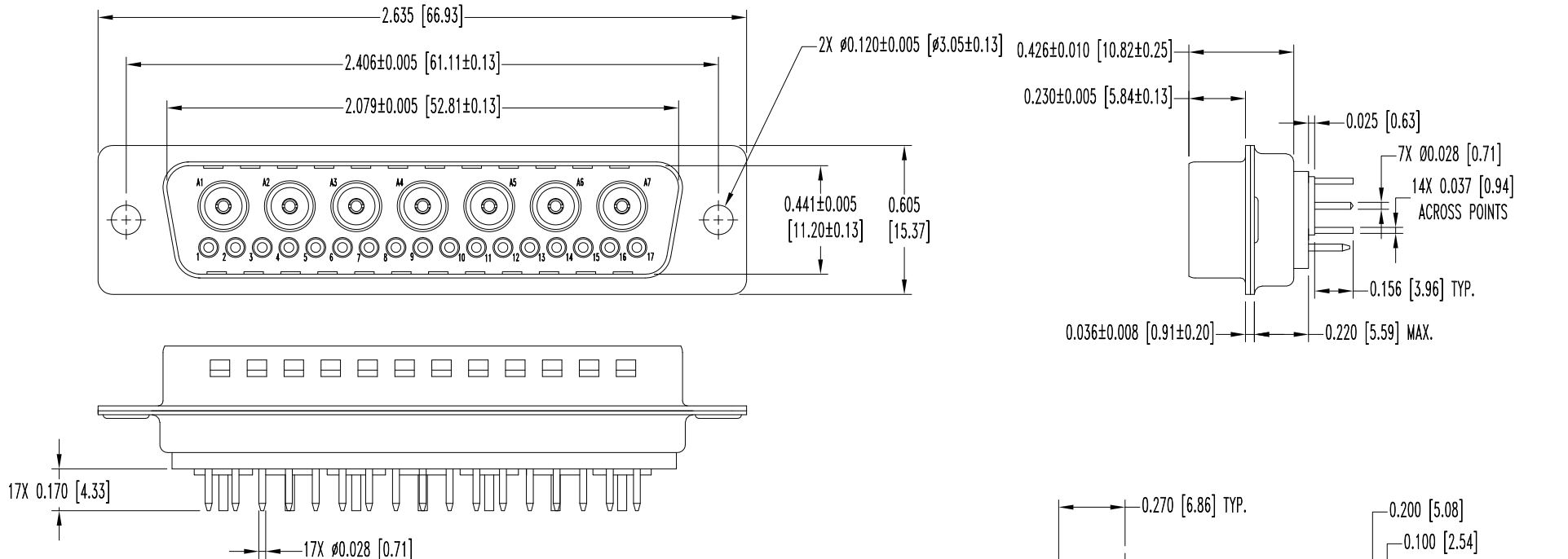


THIS DRAWING CONTAINS INFORMATION PROPRIETARY TO POSITRONIC AND ITS SUBSIDIARIES. POSITRONIC BELIEVES THE DATA ON THIS DRAWING TO BE RELIABLE, SINCE THE TECHNICAL INFORMATION IS GIVEN FREE OF CHARGE, THE USER EMPLOYS SUCH INFORMATION AT HIS OWN DISCRETION AND RISK. POSITRONIC ASSUMES NO RESPONSIBILITY FOR RESULTS OBTAINED OR DAMAGES INCURRED FROM USE OF SUCH INFORMATION IN WHOLE OR IN PART.

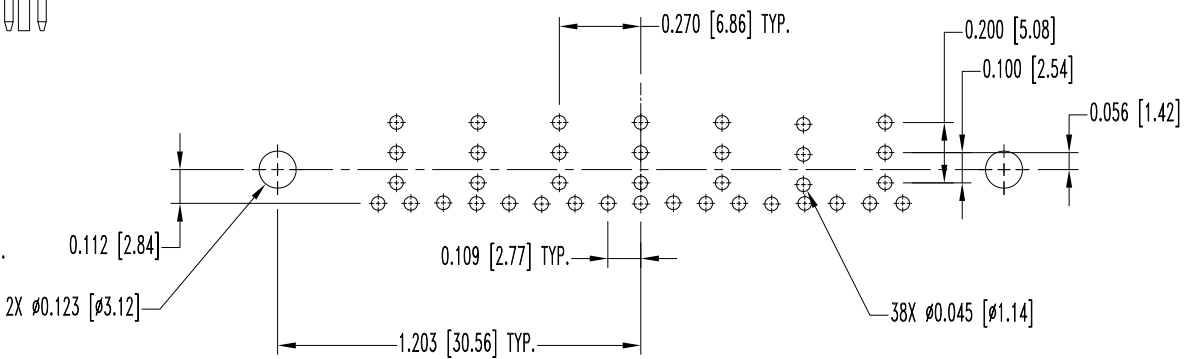
DATE	REV	REVISION RECORD	APP	DR	CK
12-29-08	NC	ECO 30430	TK	YK	COLE



- NOTES:
- MATERIALS AND FINISHES:
 INSULATOR: GLASS FILLED POLYESTER PER MIL-M-24519 UL94V-0, BLUE COLOR.
 SIGNAL CONTACTS: PRECISION MACHINED COPPER ALLOY, GOLD FLASH OVER FINISH.
 SHIELDED CONTACTS: COPPER ALLOY WITH PTFE TEFLON INSULATOR.
 PLATING: SIGNAL CONTACT: 0.0000030 [0.75µ] GOLD OVER NICKEL FINISH.
 CONTACT BODY: GOLD FLASH OVER NICKEL FINISH.
 - SHELLS: STEEL, TIN PLATED AND DIMPLED.

- ELECTRICAL CHARACTERISTICS:
 SIGNAL CONTACTS:
 CONTACT CURRENT RATING: 7.5 AMPERES NOMINAL.
 INITIAL CONTACT RESISTANCE: 0.008 OHMS MAXIMUM.
 SHIELDED CONTACTS:
 INITIAL CONTACT RESISTANCE: 0.008 OHMS MAXIMUM.
 NOMINAL IMPEDANCE: 50 OHMS.
 INSERTION LOSS: -0.46 dB AT 1 GHz
 -1.5 dB AT 2 GHz
 VSWR: 1.15 AVERAGE AT 1 GHz
 1.56 AVERAGE AT 2 GHz
 INSULATOR RESISTANCE: 5 G OHMS.
 WORKING VOLTAGE: 300 V r.m.s.

- TEMPERATURE RANGE: -55°C TO +125°C.
- DIMENSIONS ARE IN INCHES [MILLIMETERS].



CONTACT HOLE PATTERN

	POSITRONIC INDUSTRIES INC. www.connectpositronic.com		FSCM 28198
	DECIMAL TOL. ± 0.015 [0.38]	CBD SERIES	SCALE N.T.S.
ANGULAR TOL. ± 5°	DATE 12-29-08	DRAWING NUMBER SK10156	REV. NC
TITLE CBD24W7M65000Z			
APPROVED BY T KEPLEY		APPROVED BY T KEPLEY	