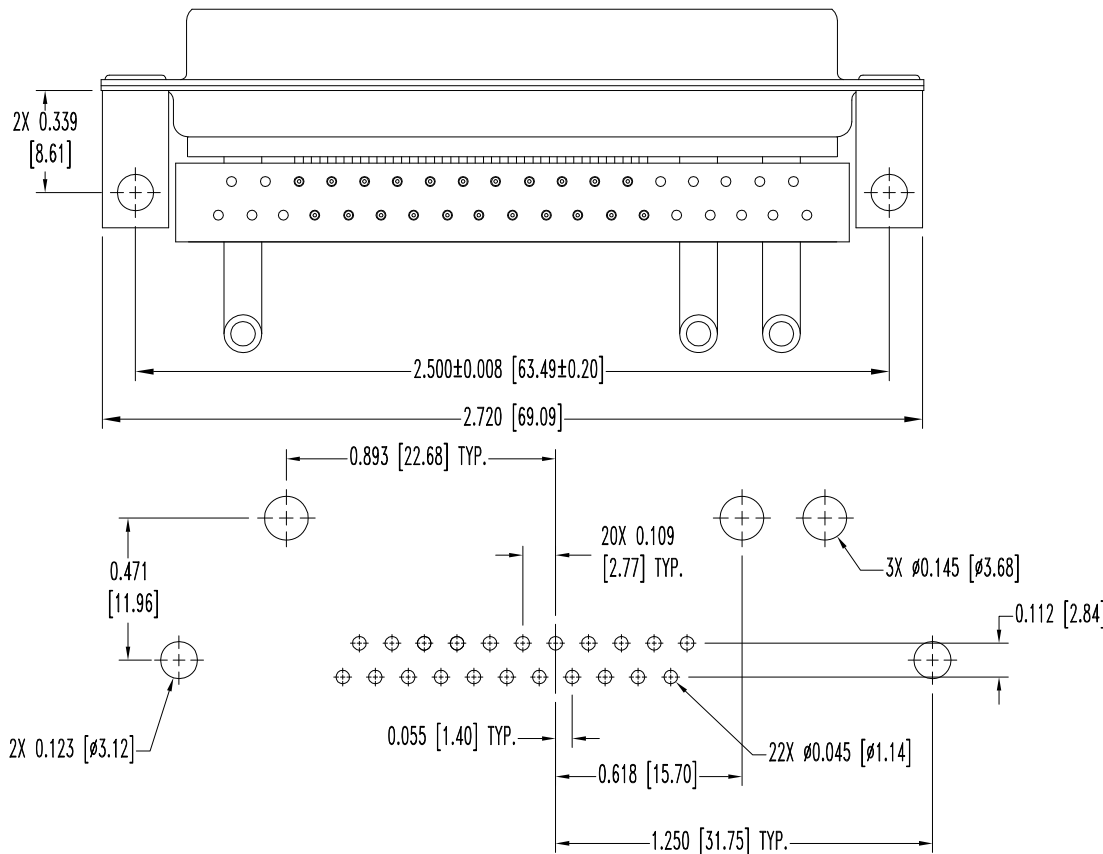
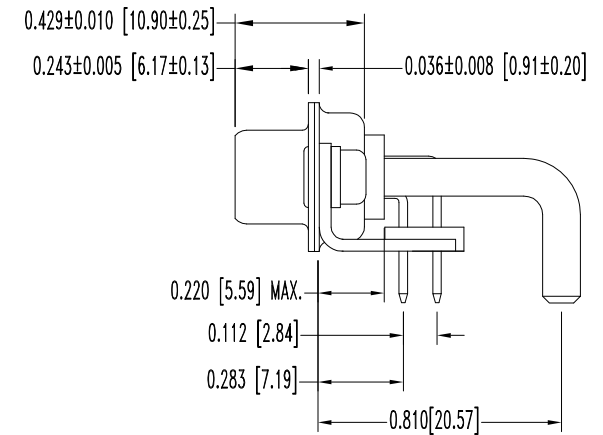
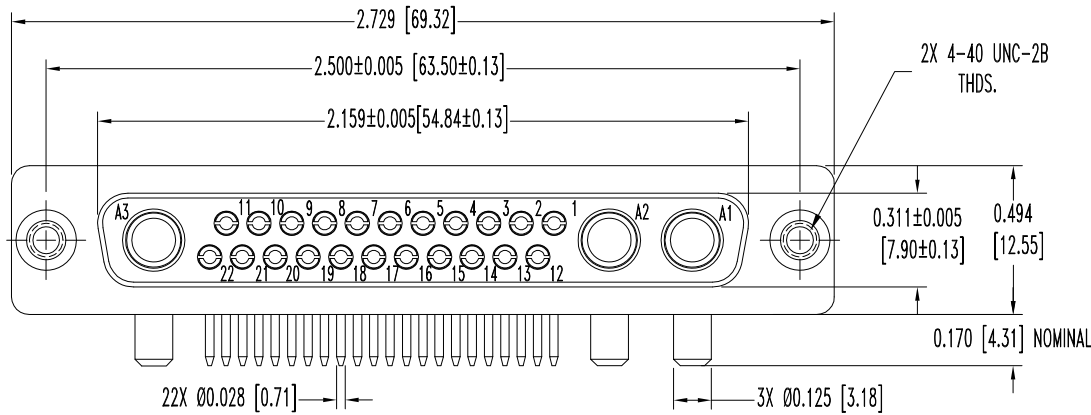


SK8688

THIS DRAWING CONTAINS INFORMATION PROPRIETARY TO POSITRONIC IND. INC. ANY REPRODUCTION, DISCLOSURE OR USE OF THIS DRAWING IS EXPRESSLY PROHIBITED, EXCEPT AS POSITRONIC IND. INC. MAY OTHERWISE AGREE IN WRITING.

DATE	REV	REVISION RECORD	APP	DR	CK
6-28-07	NC	ECO 28105	RCW	YK	TK
3-3-10	A	ECO 32188	TK	ME	TK



CONTACT HOLE PATTERN

NOTES:

- MATERIALS AND FINISHES:  
 INSULATOR: GLASS FILLED POLYESTER PER ASTM D5927, UL 94V-0, BLUE COLOR.  
 SIGNAL CONTACTS: PRECISION MACHINED HIGH TENSILE PHOSPHOR BRONZE, WITH GOLD FLASH OVER NICKEL.  
 POWER CONTACTS: MACHINED OF HIGH CONDUCTIVITY COPPER ALLOY, WITH GOLD FLASH OVER NICKEL.  
 SHELLS: STEEL, ZINC PLATE WITH CHROMATE SEAL.  
 MOUNTING BRACKETS: BRASS, ZINC PLATE WITH CHROMATE SEAL.  
 ALIGNMENT BAR: GLASS FILLED NYLON, COLOR BLACK.  
 CLINCH NUTS: BRASS, ZINC PLATE WITH CHROMATE SEAL.
- DETAILED PRODUCT, ELECTRICAL, AND MECHANICAL INFORMATION IS AVAILABLE IN THE LATEST CBD PRODUCT PUBLICATION. VISIT [CONNECTPOSITRONIC.COM/PRODUCTS/1/STANDARD DENSITY COMBO](http://CONNECTPOSITRONIC.COM/PRODUCTS/1/STANDARD DENSITY COMBO) -D/ OR [CONNECTPOSITRONIC.COM](http://CONNECTPOSITRONIC.COM)
- DIMENSIONS ARE IN INCHES [MILLIMETERS].

 <b>POSITRONIC INDUSTRIES INC.</b> SPRINGFIELD, MISSOURI 65801		SCALE	DRAWN BY
		N.T.S.	YK
DECIMAL TOL.	CBD SERIES	APPROVED BY	RCW
± 0.015 [0.38]	TITLE	CBD25W3F57R8000	
ANGULAR TOL.	DATE	DRAWING NUMBER	REV.
± 5°	6-28-07	SK8688	A