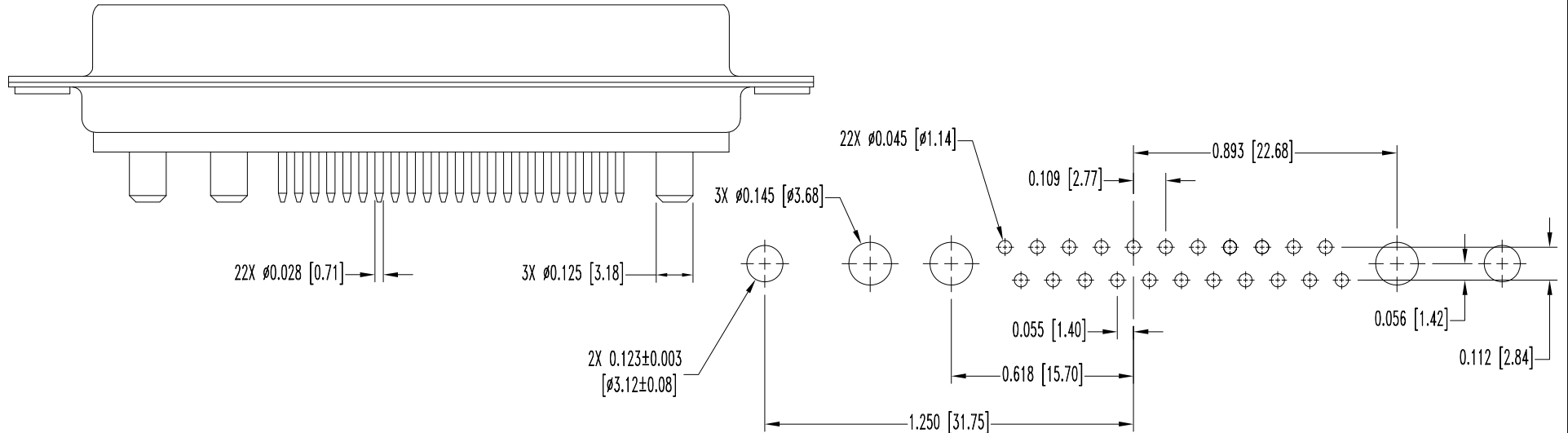
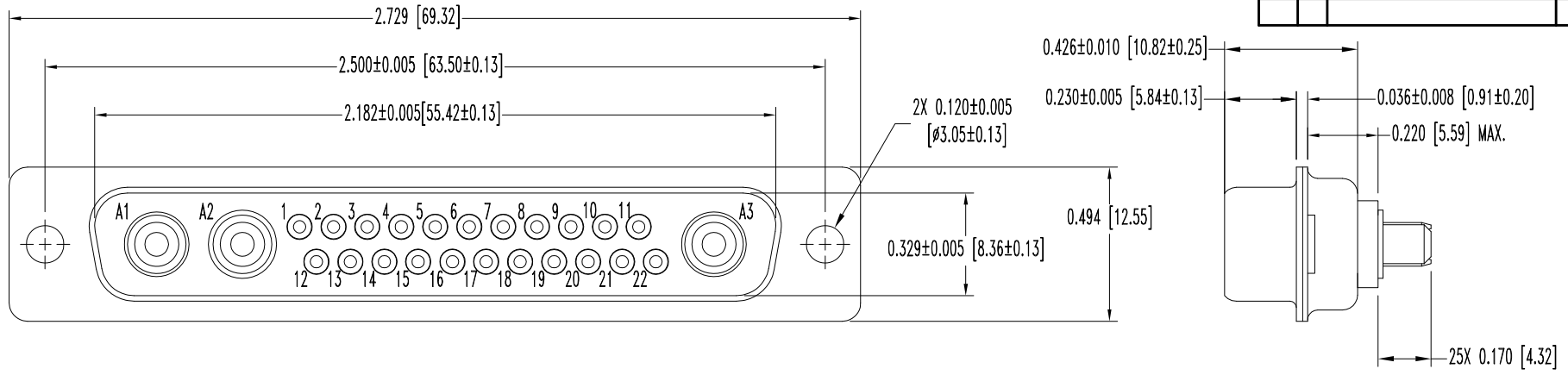


THIS DRAWING CONTAINS INFORMATION PROPRIETARY TO POSITRONIC IND. INC. ANY REPRODUCTION, DISCLOSURE OR USE OF THIS DRAWING IS EXPRESSLY PROHIBITED, EXCEPT AS POSITRONIC IND. INC. MAY OTHERWISE AGREE IN WRITING.

SK4997

DATE	REV	REVISION RECORD	APP	DR	CK
4-22-03	NC	ECO 20845	TK	YK	TK
3-5-10	A	ECO 32198		BE	



CONTACT HOLE PATTERN

NOTES:

- MATERIALS AND FINISHES:
 INSULATOR: GLASS FILLED POLYESTER PER ASTM D5927 UL 94V-0, BLUE COLOR.
 SIGNAL CONTACTS: PHOSPHOR BRONZE, GOLD FLASH OVER NICKEL PLATE.
 POWER CONTACTS: COPPER ALLOY, GOLD FLASH OVER NICKEL PLATE.
 SHELLS: STEEL, TIN PLATE.
- DETAILED PRODUCT, ELECTRICAL, AND MECHANICAL INFORMATION IS AVAILABLE IN THE LATEST STANDARD DENSITY COMBO-D PRODUCT PUBLICATION.
 VISIT CONNECTPOSITRONIC.COM/PRODUCTS/1/STANDARD DENSITY COMBO-D OR CONNECTPOSITRONIC.COM.
- DIMENSIONS ARE IN INCHES [MILLIMETERS].

 POSITRONIC INDUSTRIES INC. SPRINGFIELD, MISSOURI 65801		SCALE	DRAWN BY
		N.T.S.	Y.KELLEYBREW
DECIMAL TOL.	CBD SERIES	APPROVED BY	
± 0.015 [0.38]		T. KEPLEY	
TITLE		REV.	
CBD25W3M37000X		A	
ANGULAR TOL.	DATE	DRAWING NUMBER	
± N/A	4-22-03	SK4997	