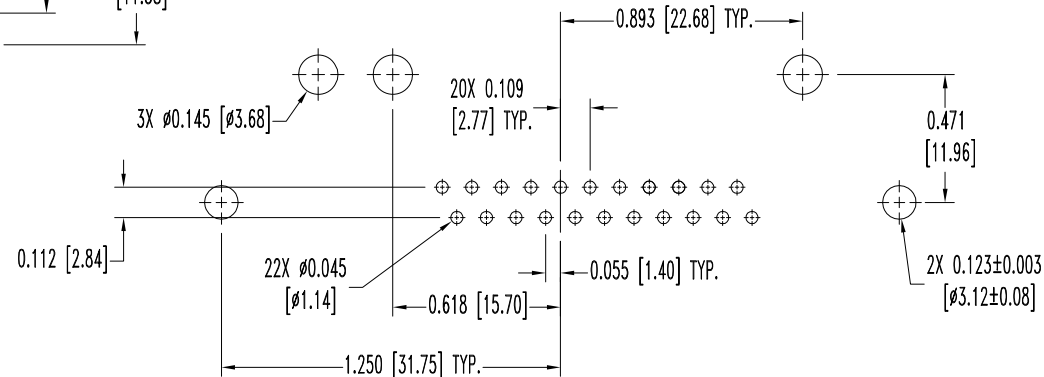
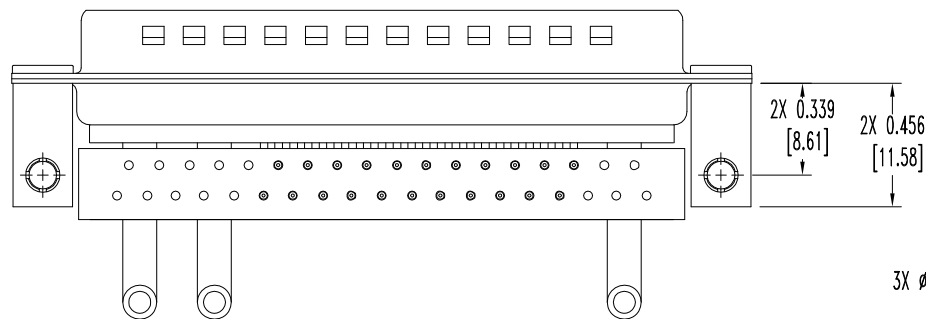
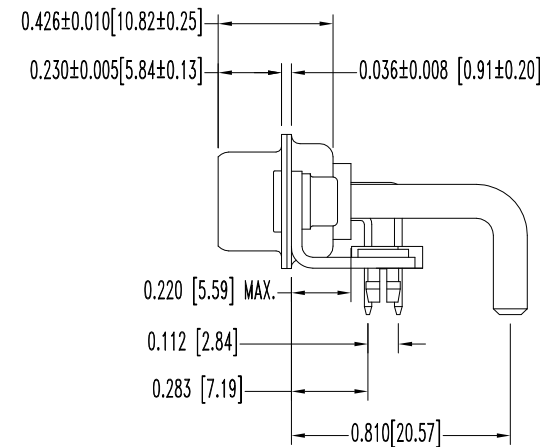
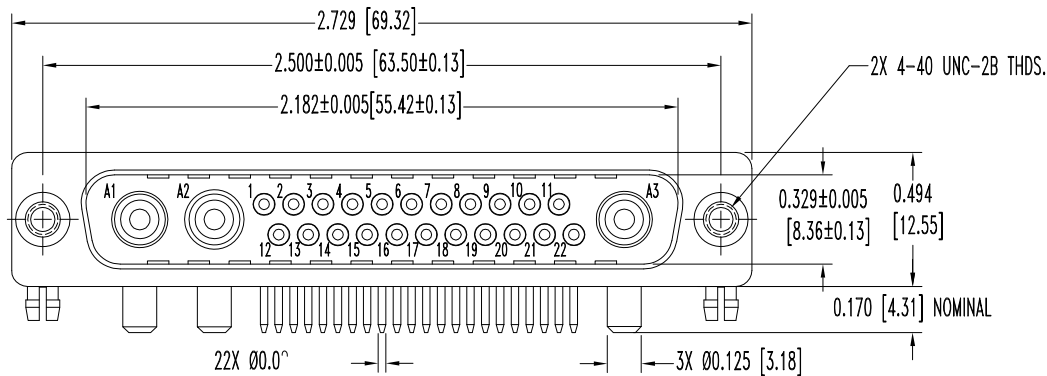


SK4995

THIS DRAWING CONTAINS INFORMATION PROPRIETARY TO POSITRONIC IND. INC. ANY REPRODUCTION, DISCLOSURE OR USE OF THIS DRAWING IS EXPRESSLY PROHIBITED, EXCEPT AS POSITRONIC IND. INC. MAY OTHERWISE AGREE IN WRITING.

DATE	REV	REVISION RECORD	APP	DR	CK
4-22-03	NC	ECO 20845	TK	YK	TK
6-18-04	A	ECO 22577	RW	ME	TK
3-5-10	B	ECO 32198	COLF	BE	COLF



NOTES:


1. MATERIALS AND FINISHES:  
ATOR: GLASS FILLED POLYESTER PER ASTM D5927 UL 94V-0, BLUE COLOR.

SHELLS: STEEL, TIN PLATE.  
MOUNTING BRACKETS: BRASS, TIN PLATE.  
PUSH-ON FASTENERS: BERYLLIUM COPPER, TIN PLATE.

2. DETAILED PRODUCT, ELECTRICAL, AND MECHANICAL INFORMATION IS AVAILABLE IN THE LATEST STANDARD DENSITY COMBO-D PRODUCT PUBLICATION.  
VISIT [CONNECTPOSITRONIC.COM/PRODUCTS/1/STANDARD DENSITY COMBO-D OR CONNECTPOSITRONIC.COM](http://CONNECTPOSITRONIC.COM/PRODUCTS/1/STANDARD DENSITY COMBO-D OR CONNECTPOSITRONIC.COM).

3. DIMENSIONS ARE IN INCHES [MILLIMETERS].

CONTACT HOLE PATTERN

 <b>POSITRONIC INDUSTRIES INC.</b> SPRINGFIELD, MISSOURI 65801		SCALE	DRAWN BY
		N.T.S.	Y.KELLEYBREW
DECIMAL TOL.	CBD SERIES	APPROVED BY	T. KEPLEY
± 0.015 [0.38]	TITLE	CBD25W3M57R8N0Z	
ANGULAR TOL.	DATE	DRAWING NUMBER	REV.
± 5°	4-22-03	SK4995	B