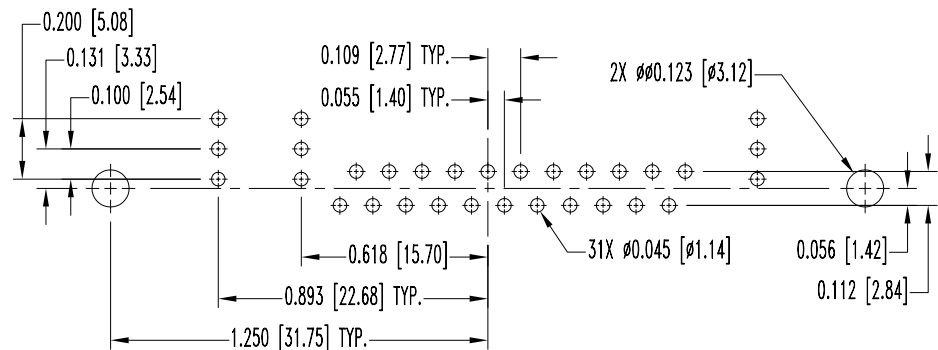
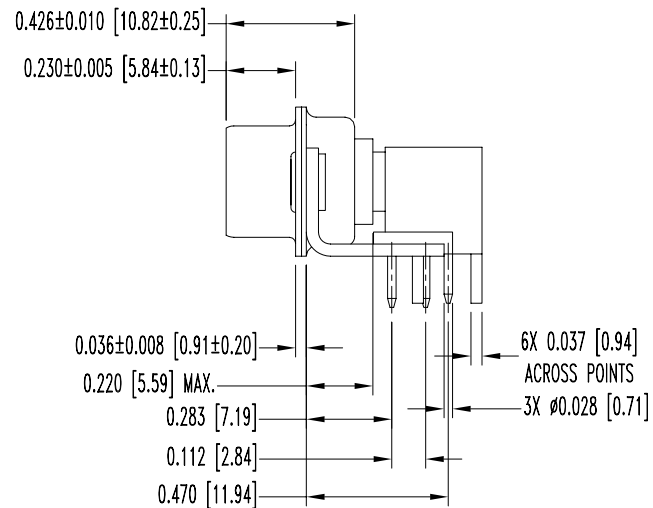
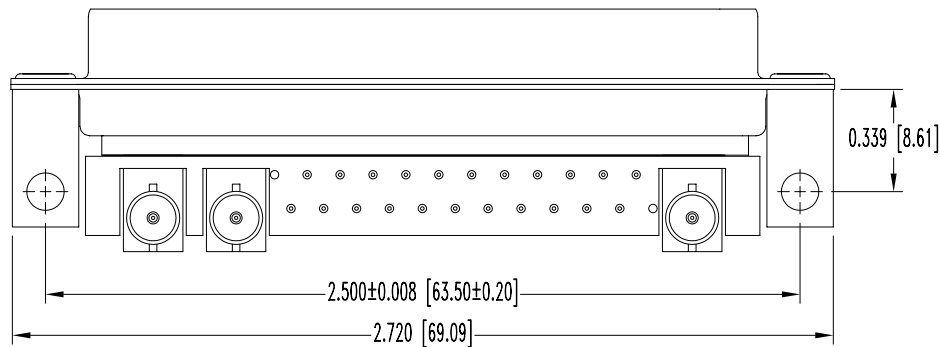
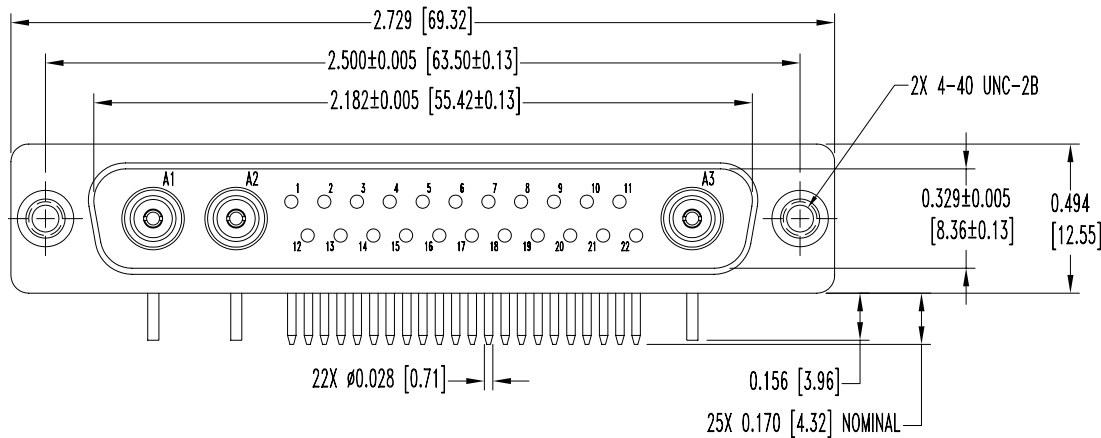


POSITRONIC INDUSTRIES BELIEVES THE DATA ON THIS DRAWING TO BE RELIABLE, SINCE THE TECHNICAL INFORMATION IS GIVEN FREE OF CHARGE, THE USER EMPLOYS SUCH INFORMATION AT HIS OWN DISCRETION AND RISK. POSITRONIC INDUSTRIES ASSUMES NO RESPONSIBILITY FOR RESULTS OBTAINED OR DAMAGES INCURRED FROM USE OF SUCH INFORMATION IN WHOLE OR IN PART.

DATE	REV	REVISION RECORD	APP	DR	CK
12-5-07	NC	ECO 28733		YK	TK



CONTACT HOLE PATTERN

NOTES:

1. MATERIALS AND FINISHES:

INSULATOR: GLASS FILLED POLYESTER PER MIL-M-24519 UL 94V-0, COLOR: BLUE.  
 SIGNAL CONTACTS: PRECISION MACHINED BRASS ALLOY, GOLD FLASH OVER NICKEL FINISH.  
 SHIELDED CONTACTS: COPPER ALLOY WITH PTFE TEFLON INSULATOR.  
 PLATING: SIGNAL CONTACT: 0.000030 [0.75µ] GOLD OVER NICKEL.  
 CONTACT BODY: GOLD FLASH OVER NICKEL.

SHELLS: STEEL, ZINC PLATE WITH CHROMATE SEAL.  
 MOUNTING BRACKETS: BRASS, ZINC PLATE WITH CHROMATE SEAL.  
 RIVETS: BRASS, ZINC PLATE WITH CHROMATE SEAL.

2. ELECTRICAL CHARACTERISTICS:

SIGNAL CONTACTS:  
 CONTACT CURRENT RATING: 7.5 AMPERES NOMINAL.  
 INITIAL CONTACT RESISTANCE: 0.008 OHMS MAXIMUM.  
 SHIELDED CONTACTS:  
 INITIAL CONTACT RESISTANCE: 0.008 OHMS MAXIMUM.

NOMINAL IMPEDANCE: 50 OHMS.  
 INSERTION LOSS: -0.46 dB AT 1 GHz  
 -1.5 dB AT 2 GHz  
 VSWR: 1.15 AVERAGE AT 1 GHz  
 1.56 AVERAGE AT 2 GHz  
 INSULATOR RESISTANCE: 5 G OHMS.  
 WORKING VOLTAGE: 300 V r.m.s.  
 3. TEMPERATURE RANGE: -55°C TO +125°C.  
 4. DIMENSIONS ARE IN INCHES [MILLIMETERS].

	<b>POSITRONIC INDUSTRIES INC.</b> www.connectpositronic.com		FSCM 28198
	CBD SERIES	SCALE N.T.S.	DRAWN BY YK
DECIMAL TOL. ± 0.015 [0.38]	TITLE CBD25W3M85R7000		
ANGULAR TOL. ± 5°	DATE 12-5-07	DRAWING NUMBER SK9127	REV. NC