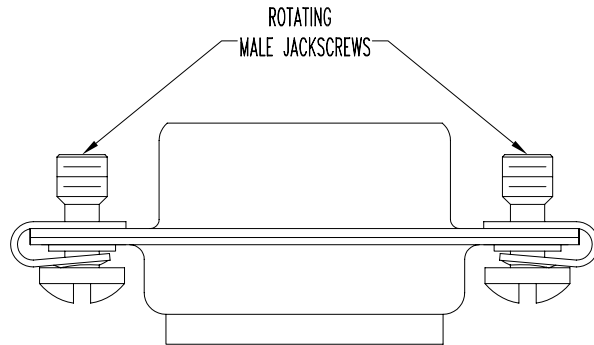
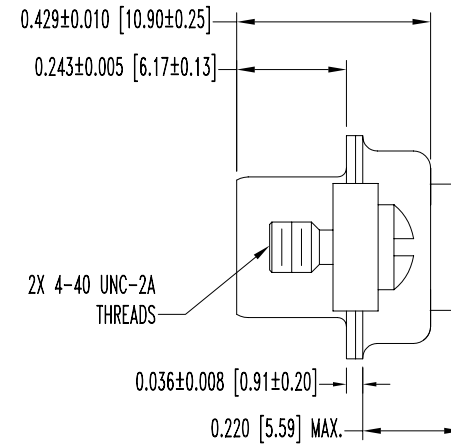
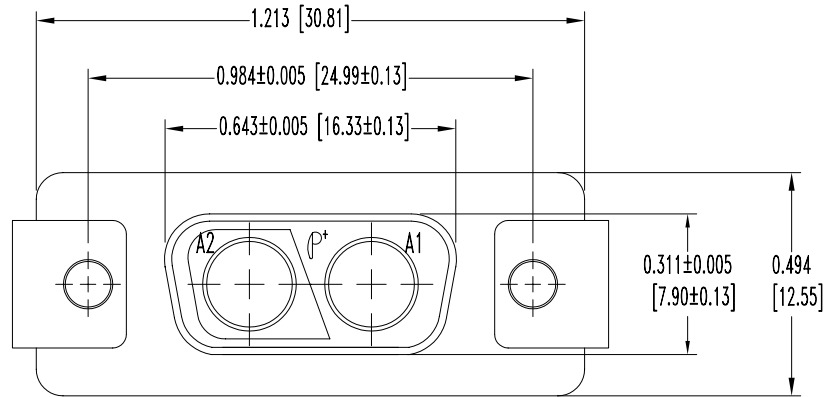


SK8690


POSITRONIC INDUSTRIES BELIEVES THE DATA ON THIS DRAWING TO BE RELIABLE, SINCE THE TECHNICAL INFORMATION IS GIVEN FREE OF CHARGE, THE USER EMPLOYS SUCH INFORMATION AT HIS OWN DISCRETION AND RISK. POSITRONIC INDUSTRIES ASSUMES NO RESPONSIBILITY FOR RESULTS OBTAINED OR DAMAGES INCURRED FROM USE OF SUCH INFORMATION IN WHOLE OR IN PART.

DATE	REV	REVISION RECORD	APP	DR	CK
6-28-07	NC	ECO 28106		YK	



NOTES:

- MATERIALS AND FINISHES:
 INSULATOR: GLASS FILLED POLYESTER PER MIL-M-24519 UL 94V-0, COLOR BLUE.
 SHELLS: STEEL, ZINC FINISH WITH CHROMATE SEAL.
 SCREWS: STEEL, ZINC PLATE WITH CHROMATE SEAL.
 U-CLIPS: SPRING STEEL, ZINC PLATE WITH CHROMATE SEAL.
- ELECTRICAL CHARACTERISTICS:
 INSULATOR RESISTANCE: 5 G OHMS.
 WORKING VOLTAGE: 300 V r.m.s.
- TEMPERATURE RANGE: -55°C TO +125°C.
- DIMENSIONS ARE IN INCHES [MILLIMETERS].

 POSITRONIC INDUSTRIES INC. www.connectpositronic.com		FSCM 28198	
DECIMAL TOL. ± 0.015 [0.38]	CBD SERIES	SCALE N.T.S.	DRAWN BY YK
ANGULAR TOL. ± 5°	DATE 6-28-07	DRAWING NUMBER SK8690	REV. NC
TITLE CBD2WK2F000E20			