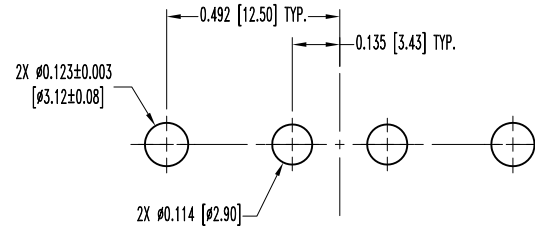
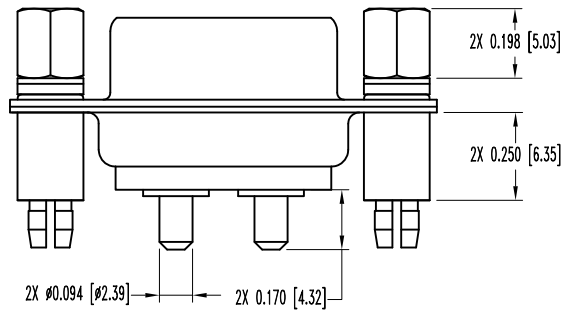
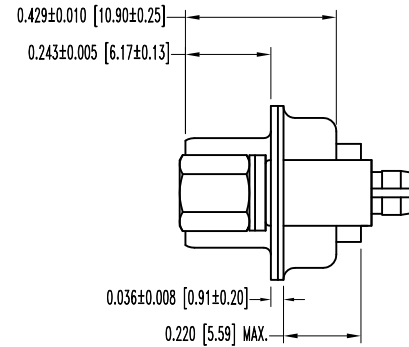
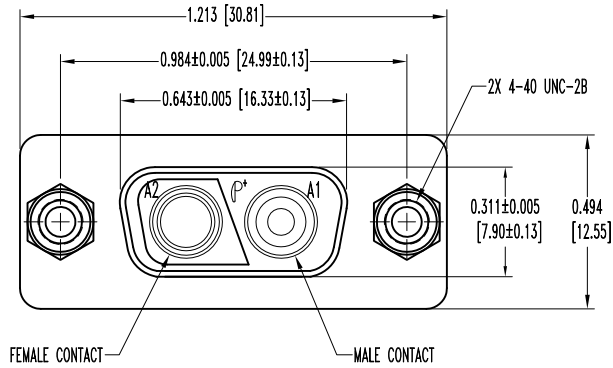


SK11920

THIS DRAWING CONTAINS INFORMATION PROPRIETARY TO POSITRONIC AND ITS SUBSIDIARIES. POSITRONIC BELIEVES THE DATA ON THIS DRAWING TO BE RELIABLE SINCE THE TECHNICAL INFORMATION IS GIVEN FREE OF CHARGE. THE USER EMPLOYS SUCH INFORMATION AT HIS OWN DISCRETION AND RISK. POSITRONIC ASSUMES NO RESPONSIBILITY FOR RESULTS OBTAINED OR DAMAGES INCURRED FROM USE OF SUCH INFORMATION IN WHOLE OR IN PART.

DATE	REV	REVISION RECORD	APP	DR	CK
11-10	NC	ECO 33281	COLE	BS	COLE



CONTACT HOLE PATTERN

NOTES:

- MATERIALS AND FINISHES:**  
 INSULATOR: GLASS FILLED POLYESTER PER ASTM-D5927, UL 94V-0, COLOR: BLUE.  
 SHELLS: STEEL WITH TIN PLATE.  
 CONTACTS: PRECISION MACHINED COPPER ALLOY, GOLD FLASH OVER NICKEL PLATE.  
 PUSH FASTENERS: PHOSPHOR BRONZE, WITH TIN PLATE.  
 JACKSCREWS: STEEL WITH TIN PLATE.
- DETAILED PRODUCT, MECHANICAL, AND ELECTRICAL INFORMATION IS AVAILABLE IN THE LATEST STANDARD DENSITY COMBO-D PRODUCT PUBLICATION. VISIT [CONNECTPOSITRONIC.COM/PRODUCTS/1/STANDARDENSITYCOMBO-D](http://CONNECTPOSITRONIC.COM/PRODUCTS/1/STANDARDENSITYCOMBO-D) OR [CONNECTPOSITRONIC.COM](http://CONNECTPOSITRONIC.COM).
- CONNECTORS ARE ROHS COMPLIANT PER ROHS DIRECTIVE 2002/95/EC OF 27 JAN 2003.
- DIMENSIONS ARE IN INCHES [MILLIMETERS].

	<b>POSITRONIC INDUSTRIES INC.</b> www.connectpositronic.com		FSCM 28198
	DECIMAL TOL. ±0.015 [0.38]	SCALE N.T.S.	DRAWN BY B. SHELLEDY
TITLE CBD SERIES			
CBD2WK2F36S60T2X/AA			
ANGULAR TOL. ±5°	DATE 11-10-10	DRAWING NUMBER SK11920	REV. NC