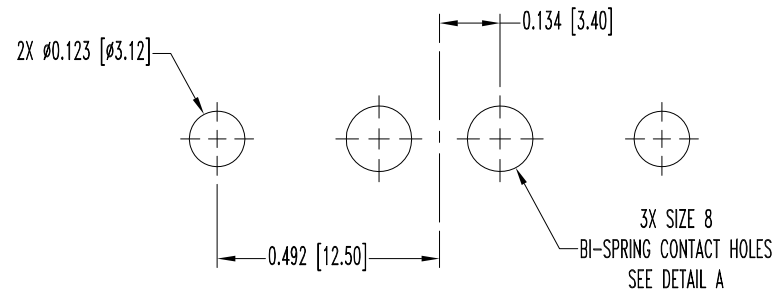
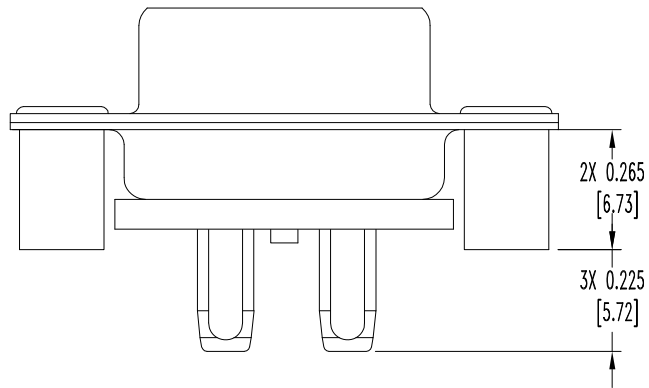
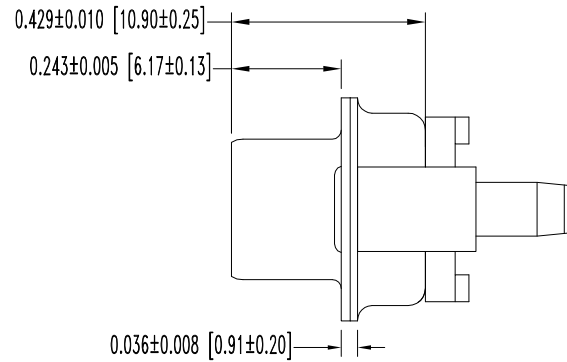
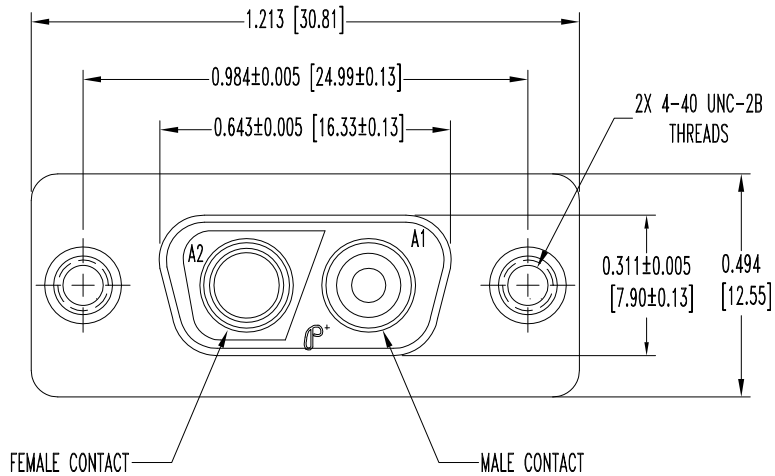


SK7988

THIS DRAWING CONTAINS INFORMATION PROPRIETARY TO POSITRONIC AND ITS SUBSIDIARIES. POSITRONIC BELIEVES THE DATA ON THIS DRAWING TO BE RELIABLE. SINCE THE TECHNICAL INFORMATION IS GIVEN FREE OF CHARGE, THE USER EMPLOYS SUCH INFORMATION AT HIS OWN DISCRETION AND RISK. POSITRONIC ASSUMES NO RESPONSIBILITY FOR RESULTS OBTAINED OR DAMAGES INCURRED FROM USE OF SUCH INFORMATION IN WHOLE OR IN PART.

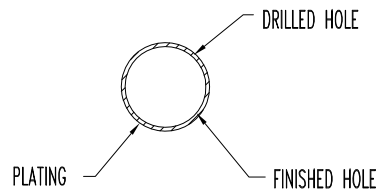
| DATE | REV | REVISION RECORD | APP | DR | CK |
|---------|-----|-----------------|------|----|------|
| 9-14-06 | NC | ECO 26688 | RCW | YK | TK |
| 3-9-10 | A | ECO 32213 | COLE | ME | COLE |
| | | | | | |
| | | | | | |



CONTACT HOLE PATTERN

NOTES:

- MATERIALS AND FINISHES:
 INSULATOR: GLASS FILLED POLYESTER PER ASTM D5927, UL 94V-0, COLOR BLUE.
 CONTACTS: HIGH CONDUCTIVITY COPPER ALLOY, GOLD FLASH OVER NICKEL PLATE.
 SHELLS: STEEL, ZINC PLATE WITH CHROMATE SEAL.
 SPACERS: STEEL, ZINC PLATE WITH CHROMATE SEAL.
 MOLDING SPACER: 30% GLASS FILLED POLYESTER. COLOR BLUE.
- DETAILED PRODUCT, ELECTRICAL, AND MECHANICAL INFORMATION IS AVAILABLE IN THE LATEST CBD PRODUCT PUBLICATION. VISIT CONNECTPOSITRONIC.COM/PRODUCTS/1/STANDARD DENSITY COMBO -D/ OR CONNECTPOSITRONIC.COM
- CONNECTORS ARE ROHS COMPLIANT PER ROHS DIRECTIVE 2002/95/EC OF 27 JAN 2003.
- DIMENSIONS ARE IN INCHES [MILLIMETERS].



PRESS FIT CONTACT HOLES SEE SK6370
DETAIL A

| | | | | |
|------------------------------------|--|--|----------------|-----------------|
| | | POSITRONIC INDUSTRIES INC. www.connectpositronic.com | | FSCM 28198 |
| | | SCALE | DRAWN BY YK | |
| DECIMAL TOL. ± 0.015 [0.38] | | CBD SERIES | N.T.S. | APPROVED BY RCW |
| | | TITLE | | |
| | | CBD2WK2F93S000/AA | | |
| ANGULAR TOL. $\pm 5^\circ$ | | DATE | DRAWING NUMBER | REV. |
| | | 9-14-06 | SK7988 | A |