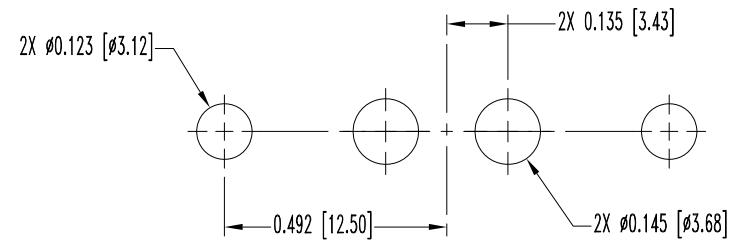
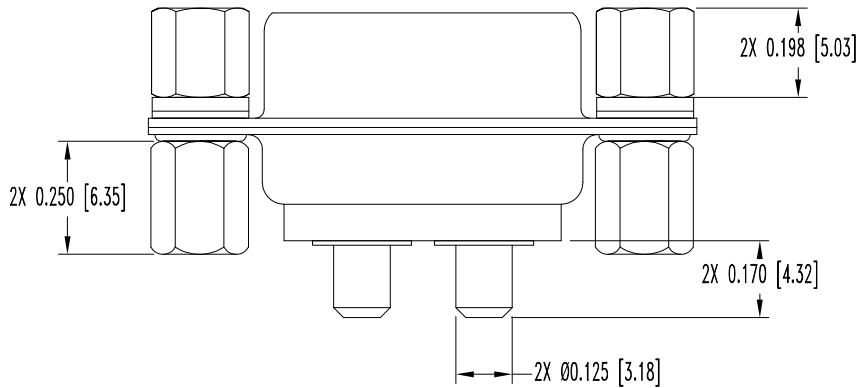
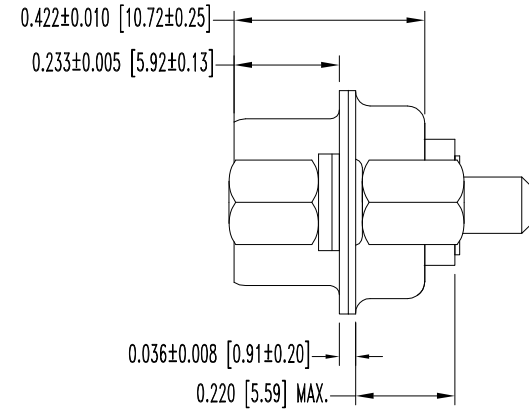
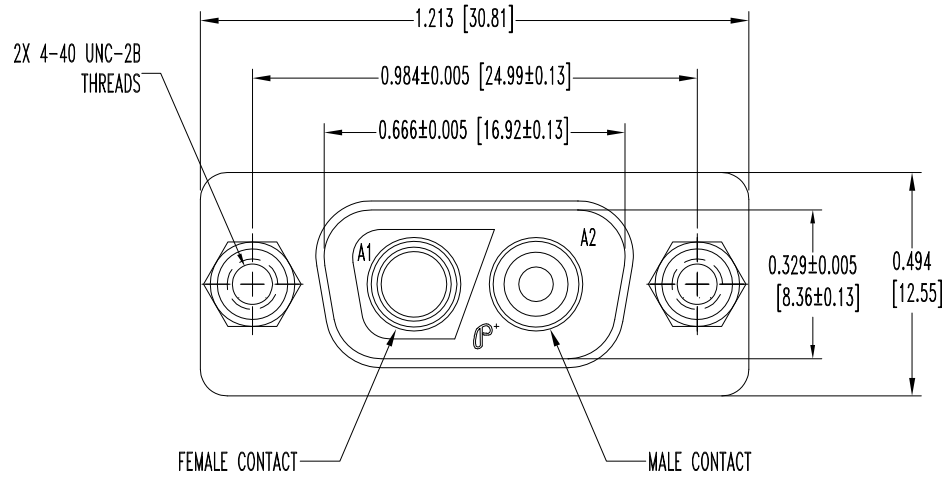


THIS DRAWING CONTAINS INFORMATION PROPRIETARY TO POSITRONIC AND ITS SUBSIDIARIES. POSITRONIC BELIEVES THE DATA ON THIS DRAWING TO BE RELIABLE. SINCE THE TECHNICAL INFORMATION IS GIVEN FREE OF CHARGE, THE USER EMPLOYS SUCH INFORMATION AT HIS OWN DISCRETION AND RISK. POSITRONIC ASSUMES NO RESPONSIBILITY FOR RESULTS OBTAINED OR DAMAGES INCURRED FROM USE OF SUCH INFORMATION IN WHOLE OR IN PART.

DATE	REV	REVISION RECORD	APP	DR	CK
6-28-07	NC	ECO 28106	RCW	YK	COLE
3-9-10	A	ECO 32213	COLE	ME	COLE



CONTACT HOLE PATTERN

NOTES:

1. MATERIALS AND FINISHES:

- INSULATOR: GLASS FILLED POLYESTER PER ASTM D5927, UL 94V-0, COLOR BLUE.
- MALE CONTACT: PRECISION MACHINED BRASS ALLOY, GOLD FLASH OVER NICKEL FINISH.
- FEMALE CONTACT: PRECISION MACHINED BRASS ALLOY, GOLD FLASH OVER NICKEL FINISH.
- SHELLS: STEEL, ZINC PLATE WITH CHROMATE SEAL.
- JACKSCREWS: STEEL, ZINC PLATE CHROMATE SEAL.
- THREADED POSTS: BRASS, ZINC PLATE CHROMATE SEAL.
- WASHERS: STAINLESS STEEL, PASSIVATED.

2. DETAILED PRODUCT, ELECTRICAL, AND MECHANICAL

INFORMATION IS AVAILABLE IN THE LATEST CBD PRODUCT PUBLICATION. VISIT CONNECTPOSITRONIC.COM/PRODUCTS/1/STANDARD DENSITY COMBO -D/ OR CONNECTPOSITRONIC.COM

3. DIMENSIONS ARE IN INCHES [MILLIMETERS].

		POSITRONIC INDUSTRIES INC. www.connectpositronic.com		FSCM 28198
	CBD SERIES	SCALE N.T.S.	DRAWN BY YK	
DECIMAL TOL. ± 0.015 [0.38]	TITLE CBD2WK2M37POT20			
ANGULAR TOL. ± 5°	DATE 6-28-07	DRAWING NUMBER SK8689	REV. A	
		APPROVED BY RCW		