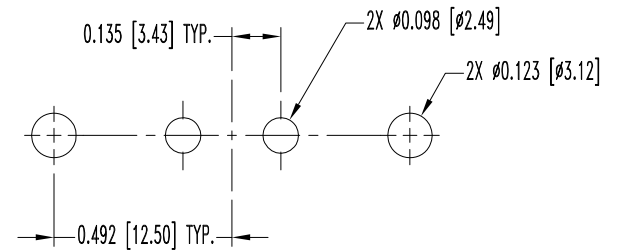
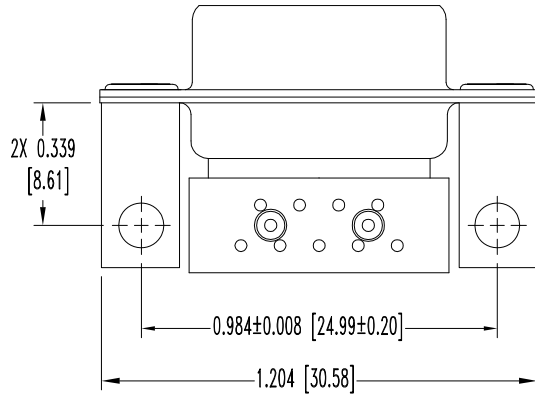
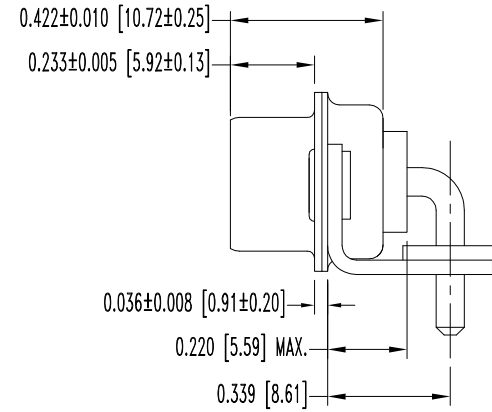
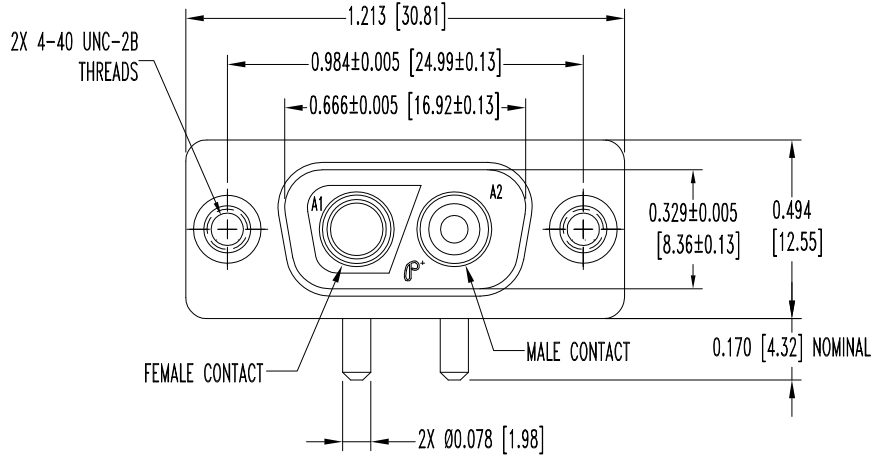


THIS DRAWING CONTAINS INFORMATION PROPRIETARY TO POSITRONIC AND ITS SUBSIDIARIES. POSITRONIC BELIEVES THE DATA ON THIS DRAWING TO BE RELIABLE. SINCE THE TECHNICAL INFORMATION IS GIVEN FREE OF CHARGE, THE USER EMPLOYS SUCH INFORMATION AT HIS OWN DISCRETION AND RISK. POSITRONIC ASSUMES NO RESPONSIBILITY FOR RESULTS OBTAINED OR DAMAGES INCURRED FROM USE OF SUCH INFORMATION IN WHOLE OR IN PART.

DATE	REV	REVISION RECORD	APP	DR	CK
6-17-09	NC	ECO 31197	COLE	BS	COLE
6-25-09	A	ECO 31240	RCW	BS	TK
3-10-10	B	ECO 32213	COLE	ME	COLE



CONTACT HOLE PATTERN

NOTES:

- MATERIALS AND FINISHES:  
 INSULATOR: GLASS FILLED POLYESTER PER ASTM D5927, COLOR: BLUE.  
 CONTACTS: PRECISION MACHINED COPPER ALLOY, GOLD FLASH OVER NICKEL PLATE.  
 SHELLS: STEEL, ZINC PLATE WITH CHROMATE SEAL.  
 MOUNTING BRACKETS: BRASS, ZINC PLATE WITH CHROMATE SEAL.  
 RIVETS: BRASS, ZINC PLATE WITH CHROMATE SEAL.
- DETAILED PRODUCT, ELECTRICAL, AND MECHANICAL INFORMATION IS AVAILABLE IN THE LATEST CBD PRODUCT PUBLICATION. VISIT [CONNECTPOSITRONIC.COM/PRODUCTS/1/STANDARDENSITYCOMBO](http://CONNECTPOSITRONIC.COM/PRODUCTS/1/STANDARDENSITYCOMBO) -D/ OR [CONNECTPOSITRONIC.COM](http://CONNECTPOSITRONIC.COM)
- CONNECTOR IS ROHS COMPLIANT PER ROHS DIRECTIVE 2002/95/EC OF 27 JAN 2003.
- DIMENSIONS ARE IN INCHES [MILLIMETERS].

	<b>POSITRONIC INDUSTRIES INC.</b> www.connectpositronic.com		FSCM 28198
	DECIMAL TOL. ± 0.015 [0.38]	CBD SERIES	SCALE N.T.S.
ANGULAR TOL. ± 5°	DATE 6-17-09	DRAWING NUMBER SK10847	REV. B
TITLE CBD2WK2M55R7000/AA			
APPROVED BY COLE			