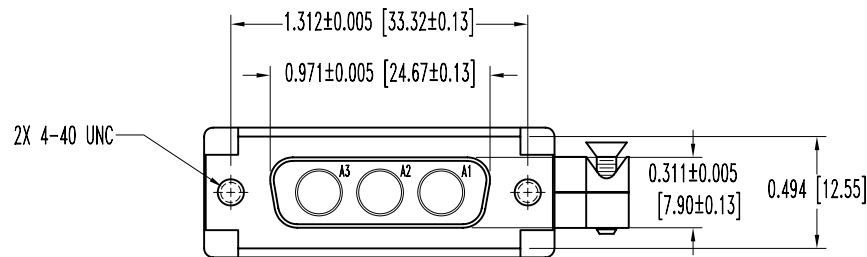
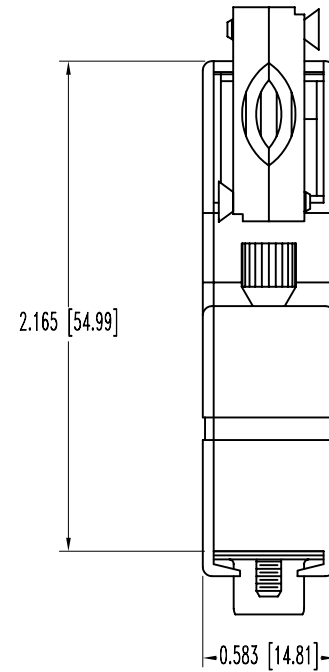
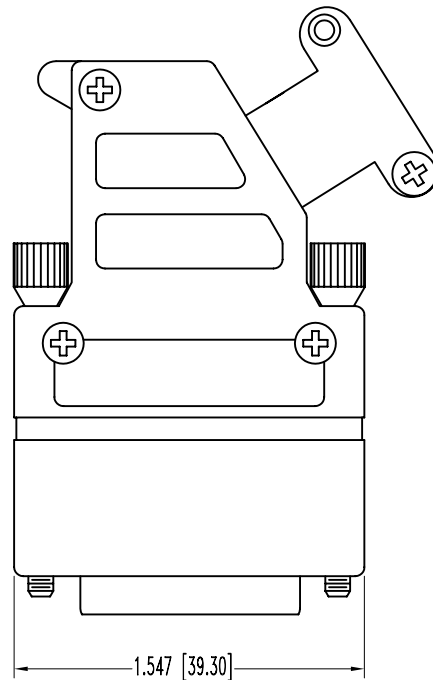


SK8043

POSITRONIC INDUSTRIES BELIEVES THE DATA ON THIS DRAWING TO BE RELIABLE. SINCE THE TECHNICAL INFORMATION IS GIVEN FREE OF CHARGE, THE USER EMPLOYS SUCH INFORMATION AT HIS OWN DISCRETION AND RISK. POSITRONIC INDUSTRIES ASSUMES NO RESPONSIBILITY FOR RESULTS OBTAINED OR DAMAGES INCURRED FROM USE OF SUCH INFORMATION IN WHOLE OR IN PART.

DATE	REV	REVISION RECORD	APP	DR	CK
10-9-06	NC	ECO 26833		YK	



NOTES:

- MATERIALS AND FINISHES:
 INSULATOR: GLASS FILLED POLYESTER PER MIL-M-24519 UL 94V-0, COLOR BLUE.
 SHELLS: STEEL, ZINC PLATE AND CHROMATE SEAL.
 HOOD: ZINC, DIE CAST.
 JACKSCREWS: STEEL WITH NICKEL PLATE.
 CABLE CLAMPS: ZINC, DIE CAST.
 SCREWS: STEEL WITH NICKEL PLATE.
- ELECTRICAL CHARACTERISTICS:
 INSULATOR RESISTANCE: 5 G OHMS.
 WORKING VOLTAGE: 300 V r.m.s.
- TEMPERATURE RANGE: -55°C TO +125°C.
- MOS 1023.5 ALLOWS FOR CONNECTOR TO BE SUPPLIED WITH SPECIAL TALL 'GE' HOOD WITH HARDWARE TO BE KITTED.
- DIMENSIONS ARE IN INCHES [MILLIMETERS].

 POSITRONIC INDUSTRIES INC. www.connectpositronic.com		SCALE		DRAWN BY	
DECIMAL TOL. ± 0.015 [0.38]		CBD SERIES		N.T.S.	
ANGULAR TOL. ± 5°		DATE 10-9-06		DRAWING NUMBER SK8043	
TITLE CBD3W3F00GE0-1023.5		APPROVED BY YK		REV. NC	