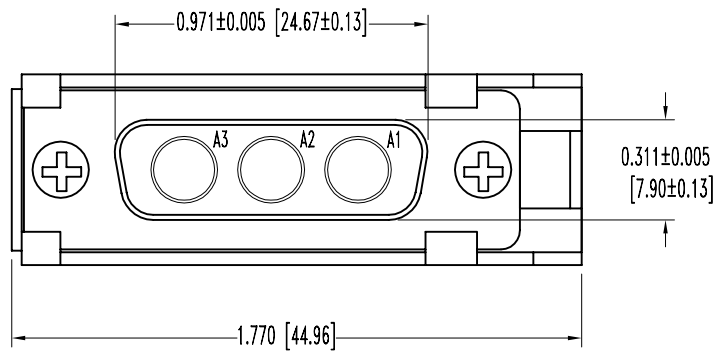
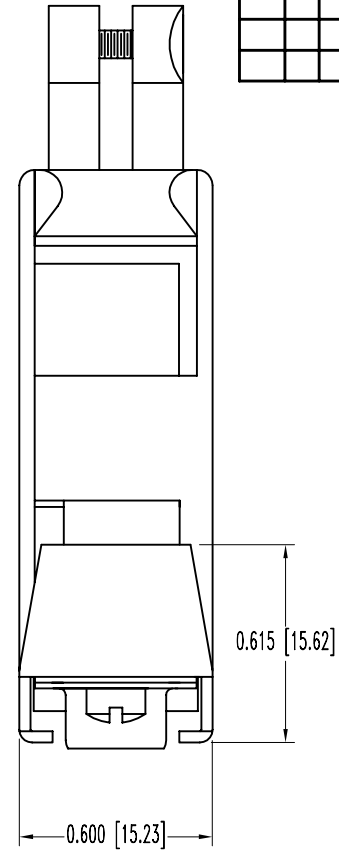
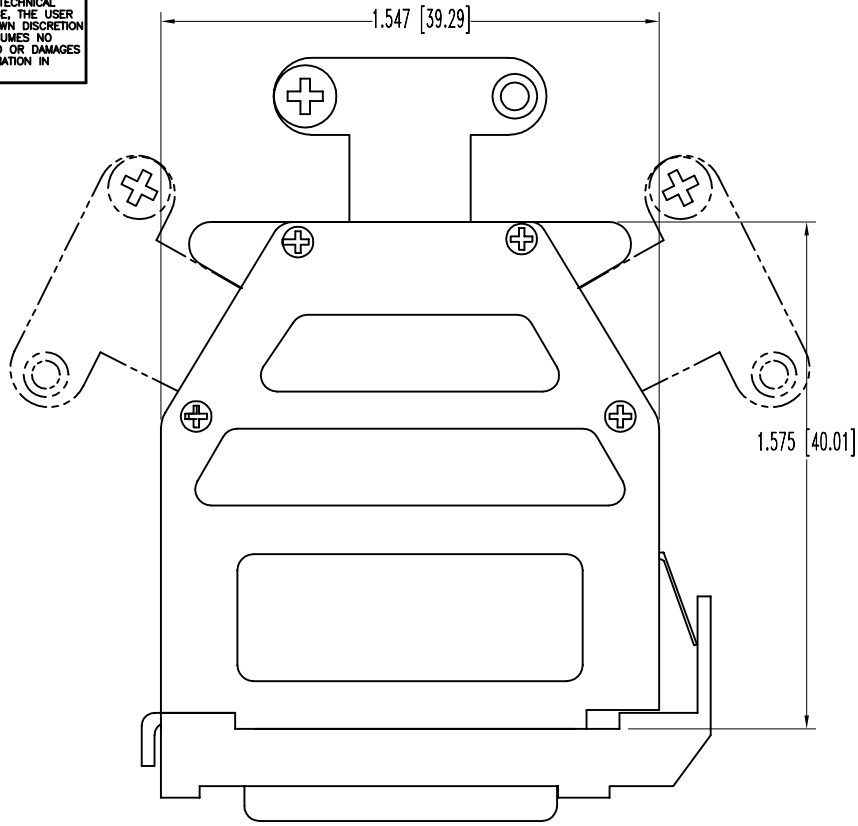


SK4259

POSITRONIC INDUSTRIES BELIEVES THE DATA ON THIS DRAWING TO BE RELIABLE. SINCE THE TECHNICAL INFORMATION IS GIVEN FREE OF CHARGE, THE USER EMPLOYS SUCH INFORMATION AT HIS OWN DISCRETION AND RISK. POSITRONIC INDUSTRIES ASSUMES NO RESPONSIBILITY FOR RESULTS OBTAINED OR DAMAGES INCURRED FROM USE OF SUCH INFORMATION IN WHOLE OR IN PART.

DATE	REV	REVISION RECORD	APP	DR	CK
4-9-02	NC	ECO 19255		YK	



NOTES:

- MATERIAL:
 - HOOD: ZINC DIECAST
 - LOCK LEVER: STEEL, NICKEL PLATED.
 - INSULATOR: GLASS FILLED POLYESTER PER MIL-M-24519, UL 94V-0, BLUE COLOR.
 - SHELLS: STEEL, TIN PLATED.
- DIMENSIONS ARE IN INCHES [MILLIMETERS].

 POSITRONIC INDUSTRIES INC. www.connectpositronic.com		SCALE		DRAWN BY Y. KELLEYBREW	
DECIMAL TOL. ± 0.015 [0.38]		CBD SERIES N.T.S.		APPROVED BY	
WF # 4440		TITLE CBD3W3F00GVLX			
ANGULAR TOL. ± 5°		DATE 4-9-02		DRAWING NUMBER SK4259	
					REV. NC