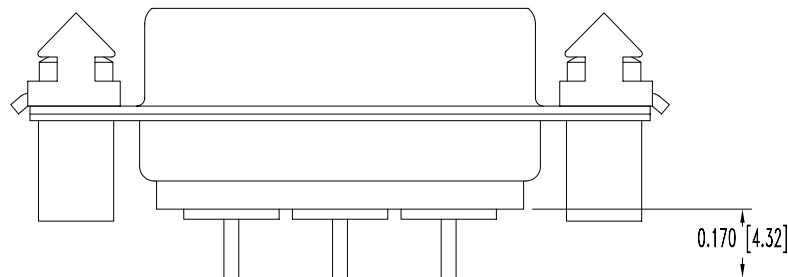
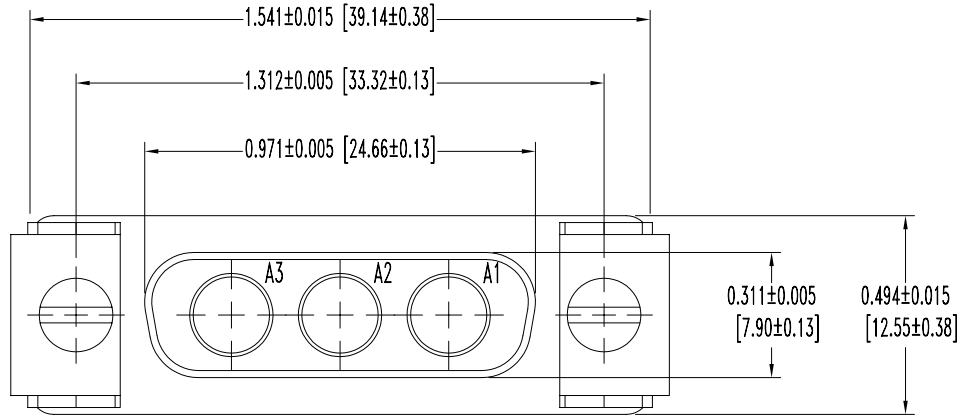


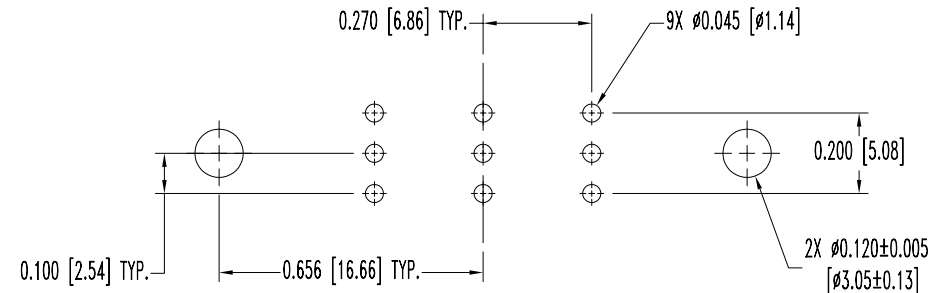
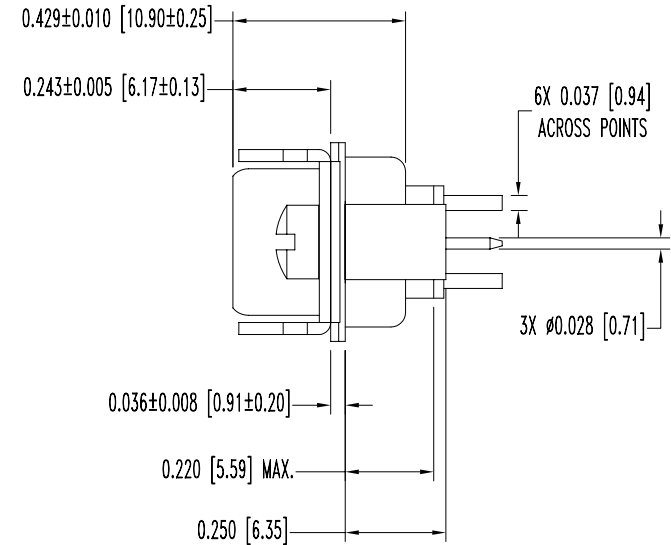
POSITRONIC INDUSTRIES BELIEVES THE DATA ON THIS DRAWING TO BE RELIABLE. SINCE THE TECHNICAL INFORMATION IS GIVEN FREE OF CHARGE, THE USER EMPLOYS SUCH INFORMATION AT HIS OWN DISCRETION AND RISK. POSITRONIC INDUSTRIES ASSUMES NO RESPONSIBILITY FOR RESULTS OBTAINED OR DAMAGES INCURRED FROM USE OF SUCH INFORMATION IN WHOLE OR IN PART.

DATE	REV	REVISION RECORD	APP	DR	CK
10-20-99	NC	ECO 15655		JLG	



NOTES:

- MATERIALS AND FINISHES:**
 INSULATORS: GLASS FILLED POLYESTER PER MIL-W-24519, UL 94V-0, BLUE COLOR.
 SHELLS: STEEL, ZINC PLATE WITH DICHROMATE SEAL.
 CONTACTS: COPPER ALLOY, GOLD OVER NICKEL PLATE WITH PTFE INSULATOR.
 MOUNTING SPACERS: NYLON PLASTIC, ZINC PLATE WITH DICHROMATE SEAL.
- ELECTRICAL CHARACTERISTICS:**
 INSULATOR RESISTANCE: 5 G OHMS.
 NOMINAL IMPEDANCE: 50 OHMS.
 INSERTION LOSS: -0.46 dB AT 1 GHz
 -1.5 dB AT 2 GHz
 VSWR: 1.15 AVERAGE AT 1GHz
 1.56 AVERAGE AT 2GHz
 TEMPERATURE RANGE: -55°C TO +125°C.
- DIMENSIONS ARE IN INCHES [MILLIMETERS].**



CONTACT HOLE PATTERN

	POSITRONIC INDUSTRIES INC. www.connectpositronic.com		FSCM 28198
	CBD SERIES	SCALE N.T.S.	DRAWN BY J. GREEN
DECIMAL TOL. ± 0.015 [0.38]	TITLE CBD3W3F65S0V30		
WF # 20635	DATE 10-20-99	DRAWING NUMBER SK3212	REV. NC