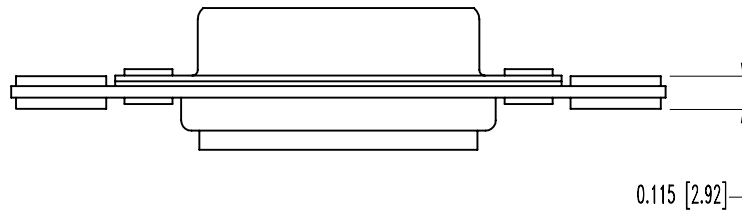
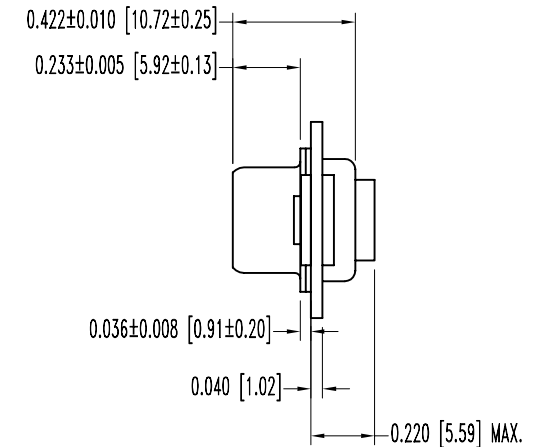
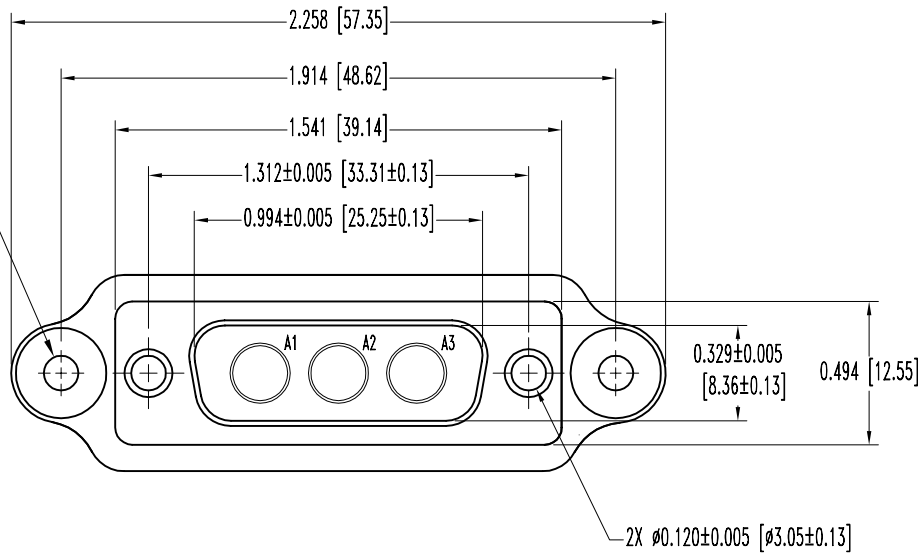


SK4603

POSITRONIC INDUSTRIES BELIEVES THE DATA ON THIS DRAWING TO BE RELIABLE. SINCE THE TECHNICAL INFORMATION IS GIVEN FREE OF CHARGE, THE USER EMPLOYS SUCH INFORMATION AT HIS OWN DISCRETION AND RISK. POSITRONIC INDUSTRIES ASSUMES NO RESPONSIBILITY FOR RESULTS OBTAINED OR DAMAGES INCURRED FROM USE OF SUCH INFORMATION IN WHOLE OR IN PART.


DATE	REV	REVISION RECORD	APP	DR	CK
8-14-02	NC	ECO 19878		YK	

2X $\phi 0.120$ [$\phi 3.05$]
 0.033 [0.84] TOTAL DIAMETER FLOAT;
 0.010 [0.25] TOTAL AXIAL FLOAT.



NOTES:

- MATERIALS AND FINISHES:
 INSULATOR: GLASS FILLED POLYESTER PER MIL-M-24519 UL 94V-0, BLUE COLOR.
 SHELLS: STEEL, TIN PLATED.
 MOUNTING PLATE: ALUMINUM, YELLOW ANODIZED.
- ELECTRICAL CHARACTERISTICS:
 INSULATOR RESISTANCE: 5 G OHMS.
 WORKING VOLTAGE: 300 V r.m.s.
- THIS MOS ALLOWS FOR CONNECTOR TO INCLUDE BLIND MATE MOUNTING PLATE.
- TEMPERATURE RANGE: -55°C TO +125°C.
- DIMENSIONS ARE IN INCHES [MILLIMETERS].

 POSITRONIC INDUSTRIES INC. www.connectpositronic.com		SCALE		DRAWN BY	
DECIMAL TOL. ± 0.015 [0.38]		CBD SERIES		N.T.S.	
WF # 4754		TITLE CBD3W3M0000X-759.1			
ANGULAR TOL. $\pm 5^\circ$		DATE 8-14-02		DRAWING NUMBER SK4603	
				APPROVED BY Y. KELLEYBREW	
				REV. NC	