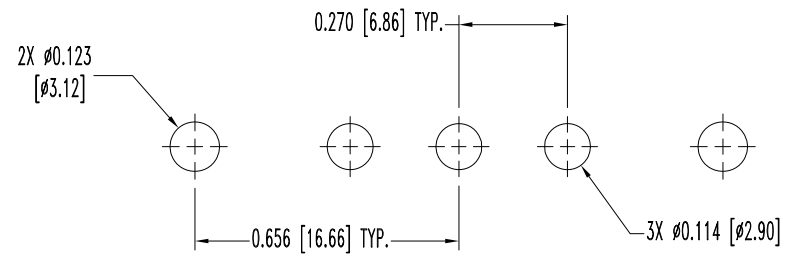
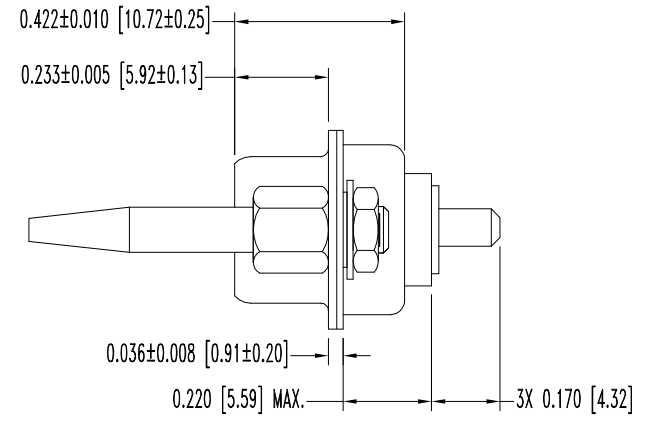
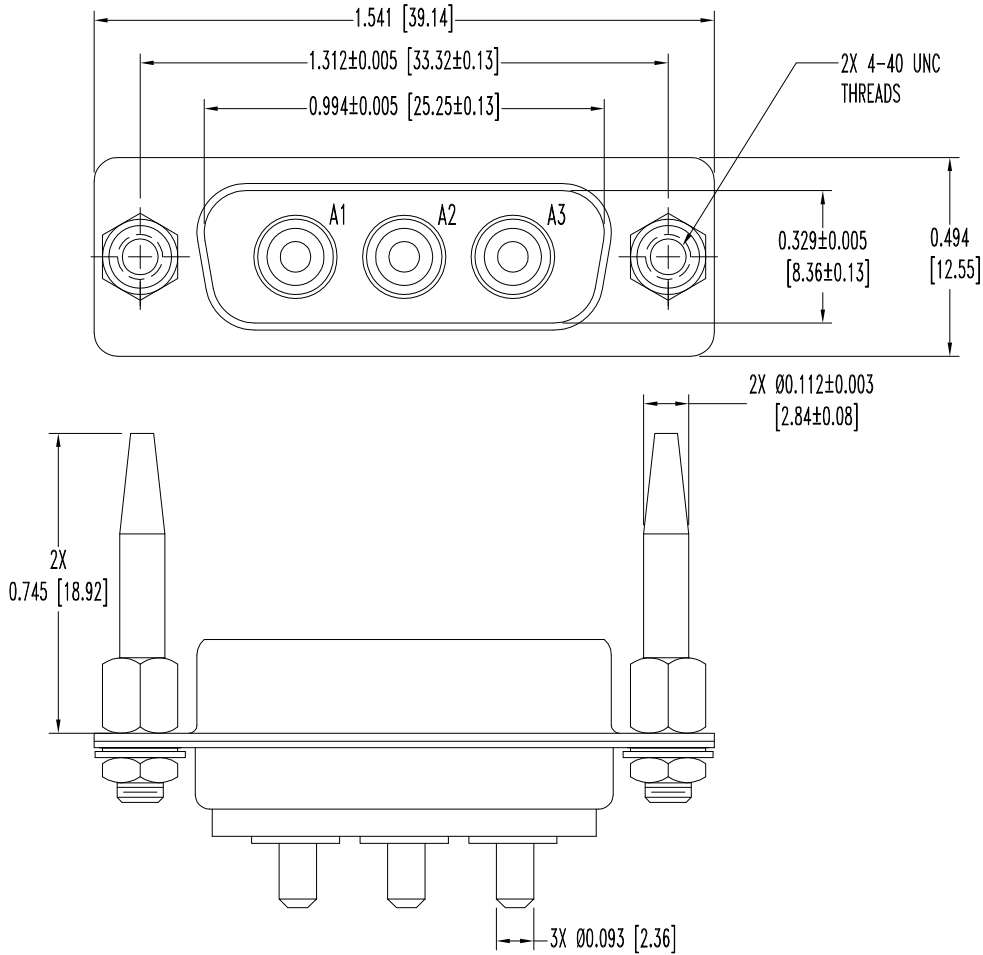


THIS DRAWING CONTAINS INFORMATION PROPRIETARY TO POSITRONIC AND ITS SUBSIDIARIES. POSITRONIC BELIEVES THE DATA ON THIS DRAWING TO BE RELIABLE. SINCE THE TECHNICAL INFORMATION IS GIVEN FREE OF CHARGE, THE USER EMPLOYS SUCH INFORMATION AT HIS OWN DISCRETION AND RISK. POSITRONIC ASSUMES NO RESPONSIBILITY FOR RESULTS OBTAINED OR DAMAGES INCURRED FROM USE OF SUCH INFORMATION IN WHOLE OR IN PART.

DATE	REV	REVISION RECORD	APP	DR	CK
9-8-06	NC	ECO 26652	RW	YK	TK
3-10-10	A	ECO 32219	COLF	BE	COLF



CONTACT HOLE PATTERN

- NOTES:
- MATERIALS AND FINISHES:  
 INSULATORS: GLASS FILLED POLYESTER PER ASTM D5927, UL 94V-0, BLUE COLOR.  
 CONTACTS: PRECISIONED MACHINED BRASS ALLOY, GOLD FLASH OVER NICKEL.  
 SHELLS: STEEL, TIN PLATE.  
 BLIND MATE GUIDES: STEEL, ZINC PLATE WITH CHROMATE SEAL.  
 HEX NUT: BRASS, ZINC PLATE WITH CHROMATE SEAL.  
 LOCKWASHERS: BRONZE, ZINC PLATE WITH CHROMATE SEAL.
  - DETAILED PRODUCT, ELECTRICAL, AND MECHANICAL INFORMATION IS AVAILABLE IN THE LATEST STANDARD DENSITY COMBO-D PRODUCT PUBLICATION. VISIT [CONNECTPOSITRONIC.COM/PRODUCTS/1/STANDARD DENSITY COMBO-D](http://CONNECTPOSITRONIC.COM/PRODUCTS/1/STANDARD DENSITY COMBO-D) OR [CONNECTPOSITRONIC.COM](http://CONNECTPOSITRONIC.COM).
  - MOS 759.0 ALLOWS FOR BLIND MATE GUIDES TO BE INSTALLED.
  - DIMENSIONS ARE IN INCHES [MILLIMETERS].

	<b>POSITRONIC INDUSTRIES INC.</b> www.connectpositronic.com		FSCM 28198
	DECIMAL TOL. ± 0.015 [0.38]	SCALE N.T.S.	DRAWN BY YK
TITLE CBD SERIES	CBD3W3M36000X-759.0		
ANGULAR TOL. ± 5°	DATE 9-8-06	DRAWING NUMBER SK7960	REV. A