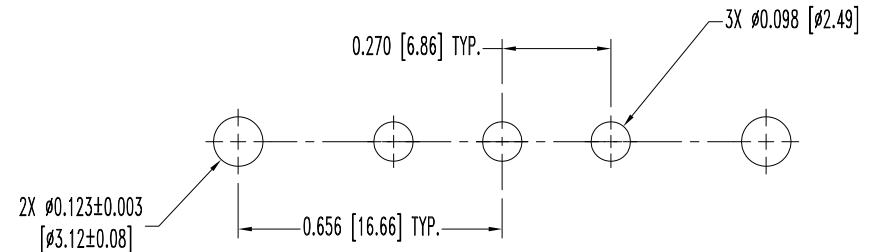
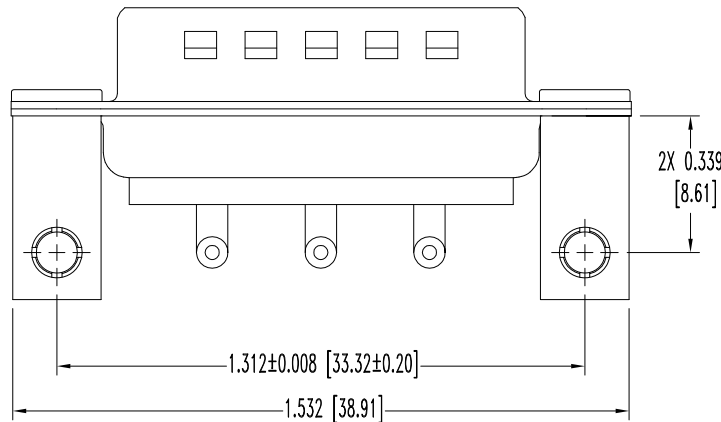
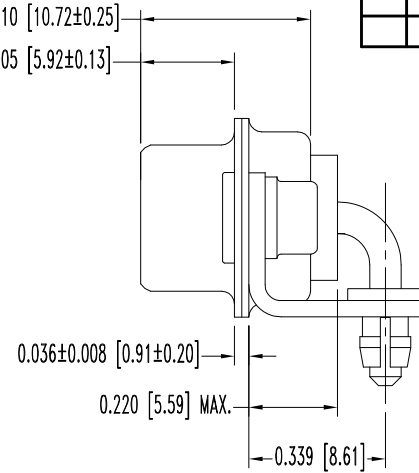
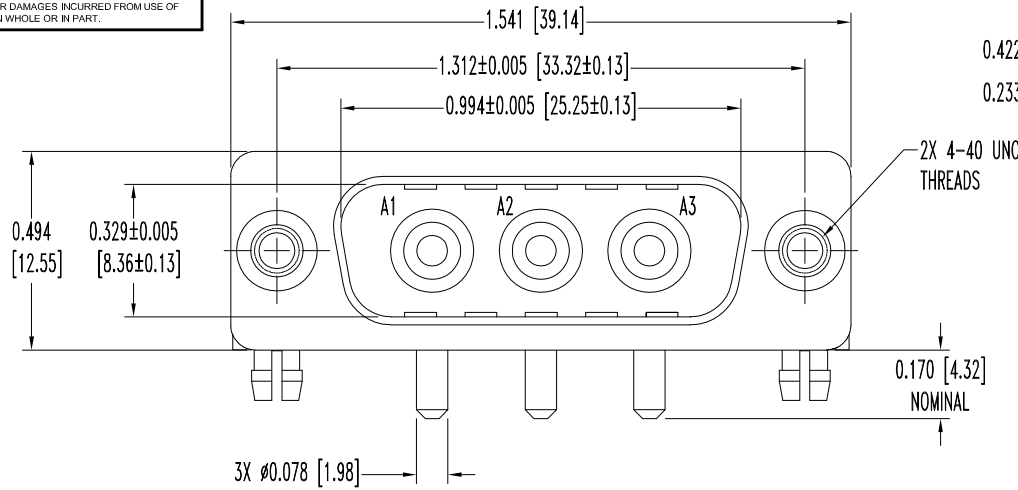


THIS DRAWING CONTAINS INFORMATION PROPRIETARY TO POSITRONIC AND ITS SUBSIDIARIES. POSITRONIC BELIEVES THE DATA ON THIS DRAWING TO BE RELIABLE. SINCE THE TECHNICAL INFORMATION IS GIVEN FREE OF CHARGE, THE USER EMPLOYS SUCH INFORMATION AT HIS OWN DISCRETION AND RISK. POSITRONIC ASSUMES NO RESPONSIBILITY FOR RESULTS OBTAINED OR DAMAGES INCURRED FROM USE OF SUCH INFORMATION IN WHOLE OR IN PART.

DATE	REV	REVISION RECORD	APP	DR	CK
4-2-04	NC	ECO 22245	RW	YK	TK
3-10-10	A	ECO 32219	COLE	BE	COLE



CONTACT HOLE PATTERN

NOTES:

- MATERIALS AND FINISHES:  
 INSULATOR: GLASS FILLED POLYESTER PER ASTM D5927 UL 94V-0, BLUE COLOR.  
 CONTACTS: MACHINED OF HIGH CONDUCTIVITY COPPER ALLOY, GOLD FLASH OVER NICKEL.  
 SHELLS: STEEL, TIN PLATED AND DIMPLED.  
 MOUNTING BRACKETS: BRASS WITH TIN PLATE.  
 PUSH-ON FASTENERS: COPPER ALLOY WITH TIN PLATE.
- DETAILED PRODUCT, ELECTRICAL, AND MECHANICAL INFORMATION IS AVAILABLE IN THE LATEST STANDARD DENSITY COMBO-D PRODUCT PUBLICATION. VISIT [CONNECTPOSITRONIC.COM/PRODUCTS/1/STANDARD DENSITY COMBO-D](http://CONNECTPOSITRONIC.COM/PRODUCTS/1/STANDARD DENSITY COMBO-D) OR [CONNECTPOSITRONIC.COM](http://CONNECTPOSITRONIC.COM).
- DIMENSIONS ARE IN INCHES [MILLIMETERS].

	<b>POSITRONIC INDUSTRIES INC.</b> www.connectpositronic.com		FSCM 28198
	DECIMAL TOL. ± 0.015 [0.38]	TITLE <b>CBD SERIES</b>	SCALE N.T.S.
	APPROVED BY RW		
	DATE 4-2-04		
	DRAWING NUMBER SK5386		REV. A