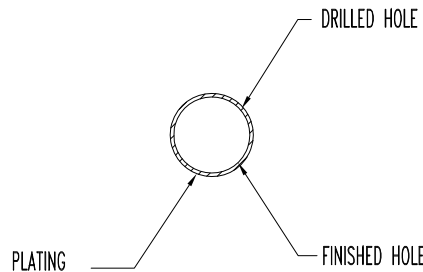
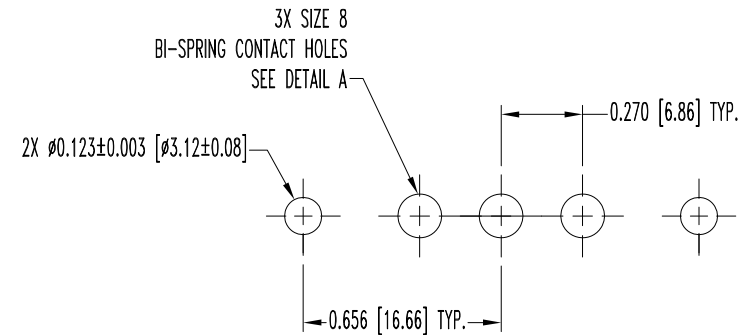
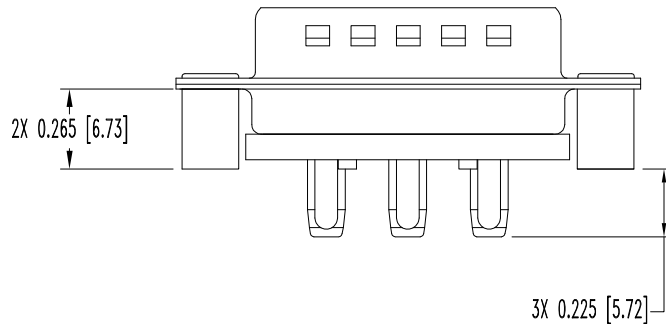
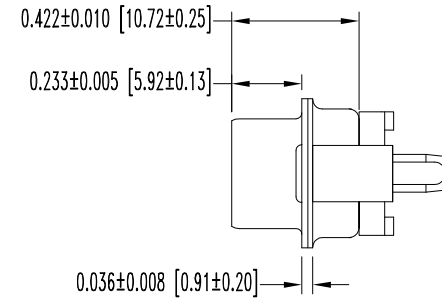
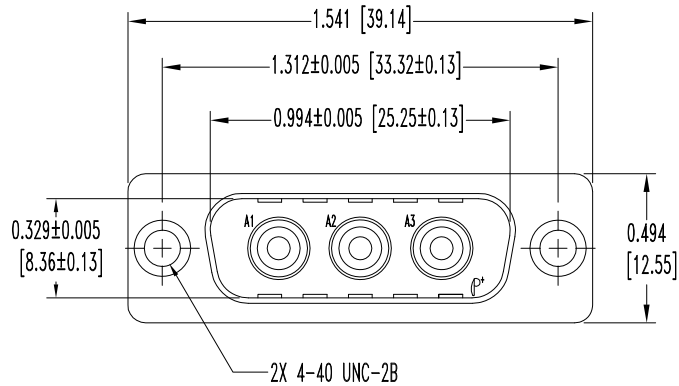


THIS DRAWING CONTAINS INFORMATION PROPRIETARY TO POSITRONIC AND ITS SUBSIDIARIES. POSITRONIC BELIEVES THE DATA ON THIS DRAWING TO BE RELIABLE. SINCE THE TECHNICAL INFORMATION IS GIVEN FREE OF CHARGE, THE USER EMPLOYS SUCH INFORMATION AT HIS OWN DISCRETION AND RISK. POSITRONIC ASSUMES NO RESPONSIBILITY FOR RESULTS OBTAINED OR DAMAGES INCURRED FROM USE OF SUCH INFORMATION IN WHOLE OR IN PART.

DATE	REV	REVISION RECORD	APP	DR	CK
5-20-02	NC	ECO 19455	TK	YK	COLE
10-7-05	A	ECO 24787	TK	TH	TK
3-10-10	B	ECO 32222	COLE	ME	COLE



PRESS FIT CONTACT HOLES SEE SK6370
DETAIL A

NOTES:

- MATERIALS AND FINISHES:
INSULATOR: GLASS FILLED POLYESTER PER ASTM D5927, UL 94V-0, BLUE COLOR.
CONTACTS: COPPER ALLOY WITH GOLD FLASH OVER NICKEL.
SHELLS: STEEL, TIN PLATE.
- DETAILED PRODUCT, ELECTRICAL, AND MECHANICAL INFORMATION IS AVAILABLE IN THE LATEST CBD PRODUCT PUBLICATION. VISIT CONNECTPOSITRONIC.COM/PRODUCTS/1/STANDARD DENSITY COMBO -D/ OR CONNECTPOSITRONIC.COM
- DIMENSIONS ARE IN INCHES [MILLIMETERS].

		POSITRONIC INDUSTRIES INC. www.connectpositronic.com		FSCM 28198
	CBD SERIES	SCALE N.T.S.	DRAWN BY Y. KELLEYBREW APPROVED BY T. KEPLEY	
DECIMAL TOL. ± 0.015 [0.38]	TITLE CBD3W3M93S00Z			
ANGULAR TOL. ± 5°	DATE 5-20-02	DRAWING NUMBER SK4323	REV. B	