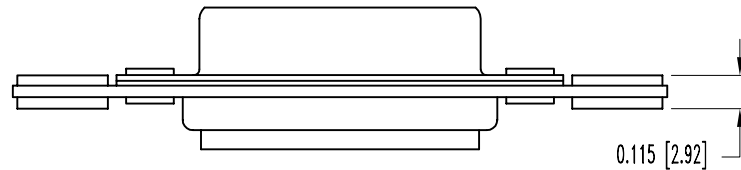
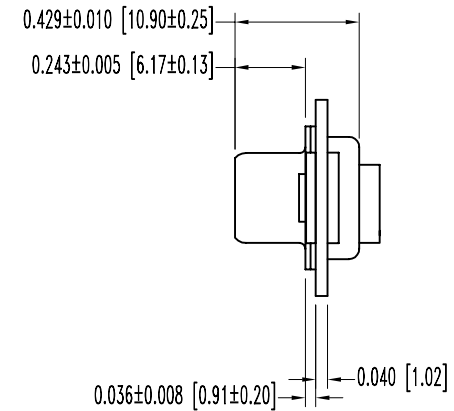
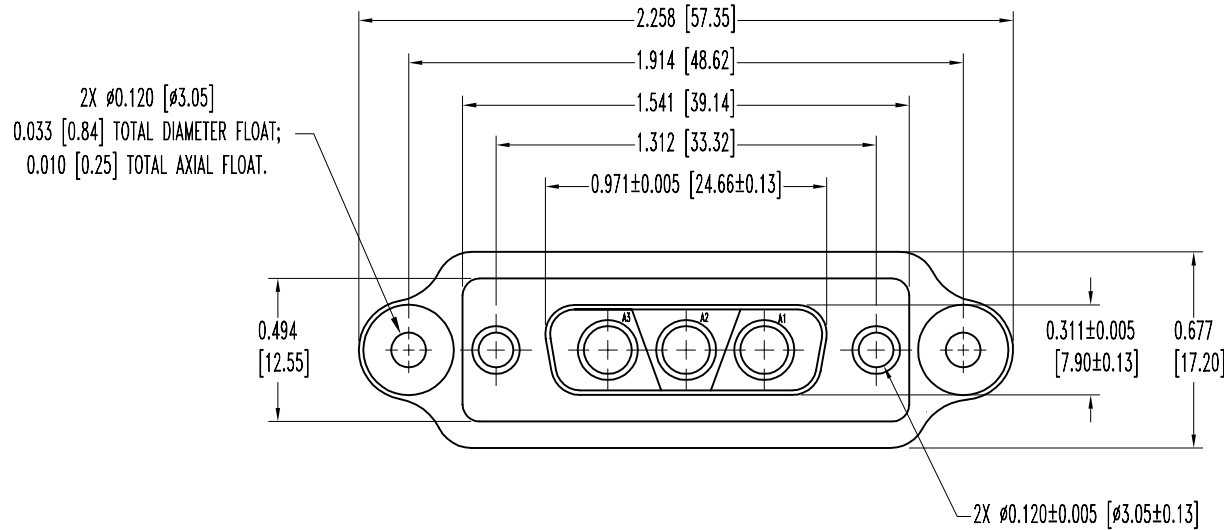


SK4601

POSITRONIC INDUSTRIES BELIEVES THE DATA ON THIS DRAWING TO BE RELIABLE. SINCE THE TECHNICAL INFORMATION IS GIVEN FREE OF CHARGE, THE USER EMPLOYS SUCH INFORMATION AT HIS OWN DISCRETION AND RISK. POSITRONIC INDUSTRIES ASSUMES NO RESPONSIBILITY FOR RESULTS OBTAINED OR DAMAGES INCURRED FROM USE OF SUCH INFORMATION IN WHOLE OR IN PART.

DATE	REV	REVISION RECORD	APP	DR	CK
8-14-02	NC	ECO 19878		ME	



NOTES:

- MATERIALS AND FINISHES:
INSULATOR: GLASS FILLED POLYESTER PER MIL-M-24519 UL 94V-0, BLUE COLOR.
SHELLS: STEEL, TIN PLATED.
MOUNTING PLATE: ALUMINUM, YELLOW ANODIZED.
- ELECTRICAL CHARACTERISTICS:
INSULATOR RESISTANCE: 5 G OHMS.
WORKING VOLTAGE: 300 V r.m.s.
- THIS MOS ALLOWS FOR CONNECTOR TO INCLUDE BLIND MATE MOUNTING PLATE.
- TEMPERATURE RANGE: -55°C TO +125°C.
- DIMENSIONS ARE IN INCHES [MILLIMETERS].

		POSITRONIC INDUSTRIES INC. www.connectpositronic.com	
	DECIMAL TOL. ± 0.015 [0.38]	SCALE N.T.S.	DRAWN BY M. ENEA
WF # 4752	DATE 8-14-02	DRAWING NUMBER SK4601	APPROVED BY
ANGULAR TOL. ± 5°	TITLE CBD SERIES	TITLE CBD3WK3F0000X-759.1	REV. NC