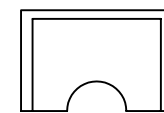
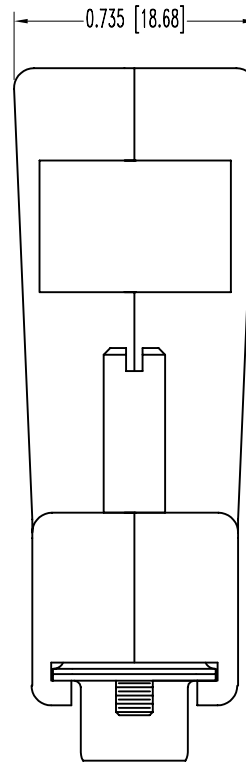
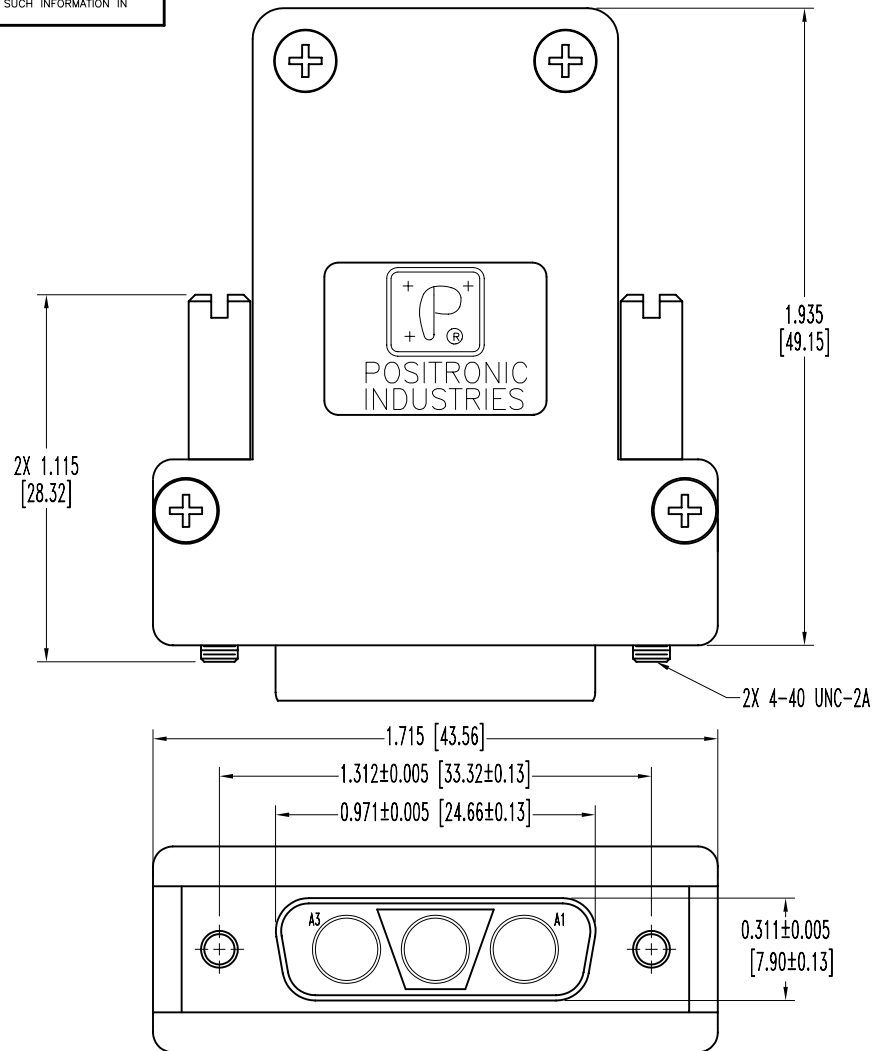


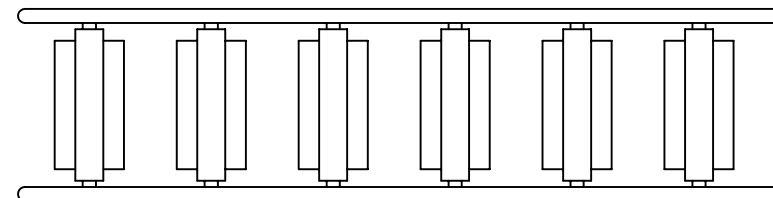
SK7259

POSITRONIC INDUSTRIES BELIEVES THE DATA ON THIS DRAWING TO BE RELIABLE. SINCE THE TECHNICAL INFORMATION IS GIVEN FREE OF CHARGE, THE USER EMPLOYS SUCH INFORMATION AT HIS OWN DISCRETION AND RISK. POSITRONIC INDUSTRIES ASSUMES NO RESPONSIBILITY FOR RESULTS OBTAINED OR DAMAGES INCURRED FROM USE OF SUCH INFORMATION IN WHOLE OR IN PART.

DATE	REV	REVISION RECORD	APP	DR	CK
4-11-06	NC	ECO 25807		YK	



TYPICAL INSERT



INSERT TREE ASSEMBLY

NOTES:

1. MATERIALS AND FINISHES:

INSULATOR: GLASS FILLED POLYESTER PER MIL-M-24519, UL 94V-0, COLOR BLUE.

SHELLS: STEEL, TIN PLATE.

HOOD - COMPOSITE, CONDUCTIVE VOLUME RESISTIVITY (1.0 OHM-CM MAX.), UL94V-0.

ATTENUATION: 40+ DECIBELS.

JACKSCREWS: STEEL, ZINC PLATE WITH CHROMATE SEAL.

SCREWS: STAINLESS STEEL, PASSIVATED.

2. ELECTRICAL CHARACTERISTICS:

INSULATOR RESISTANCE: 5 G OHMS.

WORKING VOLTAGE: 300 V r.m.s.

3. TEMPERATURE RANGE: -55°C TO +125°C.

4. INSERT TREE KITTED WITH CONNECTOR.

5. CONNECTORS ARE ROHS COMPLIANT PER ROHS DIRECTIVE 2002/95/EC OF 27 JAN 2003.

6. DIMENSIONS ARE IN INCHES [MILLIMETERS].

		POSITRONIC INDUSTRIES INC. www.connectpositronic.com	
		DECIMAL TOL. ± 0.015 [0.38]	TITLE CBD3WK3F00Z0X/AA
ANGULAR TOL. $\pm 5^\circ$	DATE 4-11-06	SCALE N.T.S.	DRAWING NUMBER SK7259
		DRAWN BY YK	REV. NC
		APPROVED BY	