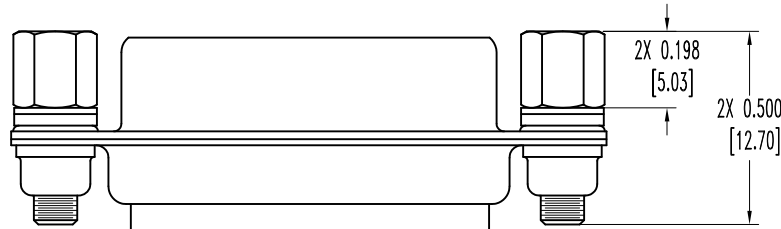
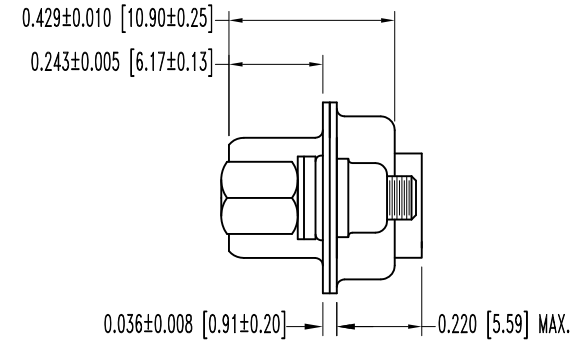
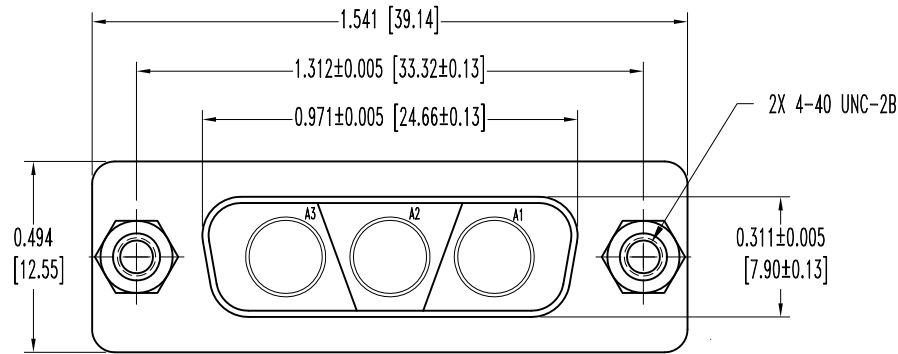


SK6163

THIS DRAWING CONTAINS INFORMATION PROPRIETARY TO POSITRONIC AND ITS SUBSIDIARIES. POSITRONIC BELIEVES THE DATA ON THIS DRAWING TO BE RELIABLE, SINCE THE TECHNICAL INFORMATION IS GIVEN FREE OF CHARGE, THE USER EMPLOYS SUCH INFORMATION AT HIS OWN DISCRETION AND RISK. POSITRONIC ASSUMES NO RESPONSIBILITY FOR RESULTS OBTAINED OR DAMAGES INCURRED FROM USE OF SUCH INFORMATION IN WHOLE OR IN PART.

DATE	REV	REVISION RECORD	APP	DR	CK
4-19-05	NC	ECO 23973	RW	YK	COLE
1-3-11	A	ECO 33460	COLE	BE	COLE



NOTES:

1. MATERIALS AND FINISHES:

INSULATOR: GLASS FILLED POLYESTER PER ASTM D5927 UL 94V-0, BLUE COLOR.

SHELLS: STEEL, ZINC PLATE WITH CHROMATE SEAL.

JACKSCREWS: STEEL, ZINC PLATE WITH CHROMATE SEAL.

CLINCH NUTS: STEEL, ZINC PLATE WITH CHROMATE SEAL.

WASHERS: STAINLESS STEEL, PASSIVATED.

2. DETAILED PRODUCT, ELECTRICAL, AND MECHANICAL INFORMATION IS AVAILABLE IN THE LATEST STANDARD DENSITY COMBO-D PRODUCT PUBLICATION. VISIT CONNECTPOSITRONIC.COM/PRODUCTS/1/STANDARD DENSITY COMBO-D OR CONNECTPOSITRONIC.COM.

3. DIMENSIONS ARE IN INCHES [MILLIMETERS].

		POSITRONIC INDUSTRIES INC. www.connectpositronic.com		FSCM 28198
	DECIMAL TOL. ± 0.015 [0.38]	SCALE N.T.S.	DRAWN BY YK	APPROVED BY RW
TITLE CBD SERIES		CBD3WK3FOS50T20		
ANGULAR TOL. $\pm 5^\circ$	DATE 4-19-05	DRAWING NUMBER SK6163	REV. A	