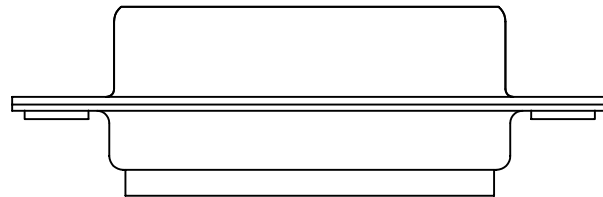
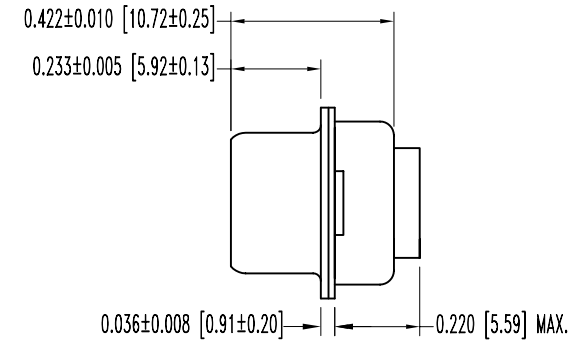
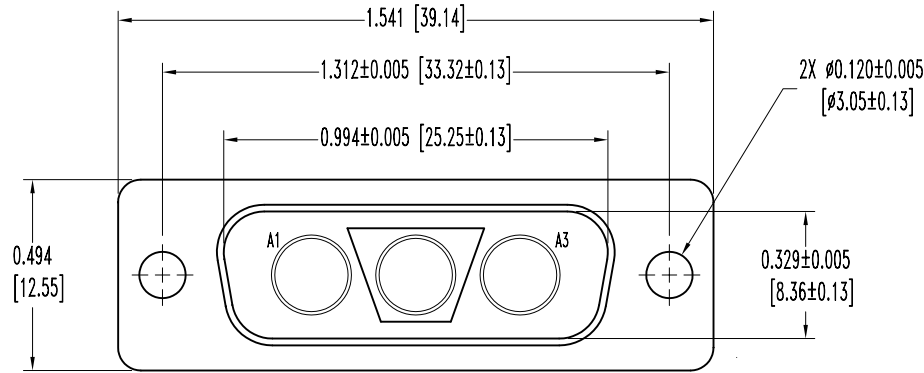


SK7569


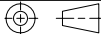
POSITRONIC INDUSTRIES BELIEVES THE DATA ON THIS DRAWING TO BE RELIABLE. SINCE THE TECHNICAL INFORMATION IS GIVEN FREE OF CHARGE, THE USER EMPLOYS SUCH INFORMATION AT HIS OWN DISCRETION AND RISK. POSITRONIC INDUSTRIES ASSUMES NO RESPONSIBILITY FOR RESULTS OBTAINED OR DAMAGES INCURRED FROM USE OF SUCH INFORMATION IN WHOLE OR IN PART.

DATE	REV	REVISION RECORD	APP	DR	CK
6-8-05	NC	ECO 26113		YK	



NOTES:

- MATERIALS AND FINISHES:
INSULATOR: GLASS FILLED POLYESTER PER MIL-M-24519 UL 94V-0, BLUE COLOR.
SHELLS: STEEL, ZINC PLATE WITH CHROMATE SEAL.
- ELECTRICAL CHARACTERISTICS:
INSULATOR RESISTANCE: 5 G OHMS.
WORKING VOLTAGE: 300 V r.m.s.
- TEMPERATURE RANGE: -55°C TO +125°C.
- CONNECTORS ARE ROHS COMPLIANT PER ROHS DIRECTIVE 2002/95/EC OF 27 JAN 2003.
- DIMENSIONS ARE IN INCHES [MILLIMETERS].

		POSITRONIC INDUSTRIES INC. www.connectpositronic.com	
	CBD SERIES	SCALE N.T.S.	DRAWN BY YK
DECIMAL TOL. ± 0.015 [0.38]	TITLE CBD3WK3M00000/AA		
ANGULAR TOL. ± 5°	DATE 6-8-06	DRAWING NUMBER SK7569	REV. NC