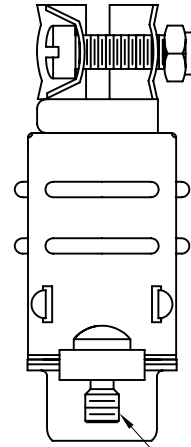
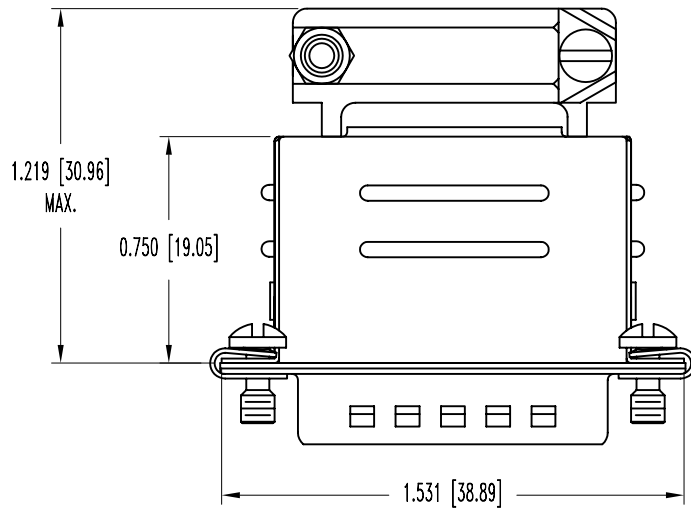


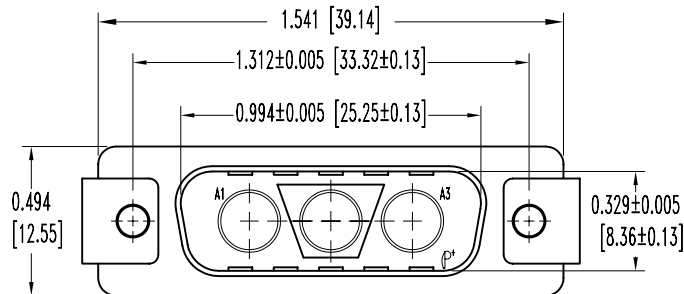
SK6047

POSITRONIC INDUSTRIES BELIEVES THE DATA ON THIS DRAWING TO BE RELIABLE. SINCE THE TECHNICAL INFORMATION IS GIVEN FREE OF CHARGE, THE USER EMPLOYS SUCH INFORMATION AT HIS OWN DISCRETION AND RISK. POSITRONIC INDUSTRIES ASSUMES NO RESPONSIBILITY FOR RESULTS OBTAINED OR DAMAGES INCURRED FROM USE OF SUCH INFORMATION IN WHOLE OR IN PART.

DATE	REV	REVISION RECORD	APP	DR	CK
3-1-05	NC	ECO 23737	RCW	YK	TK
11-22-05	A	ECO 25096		YK	



2X 4-40 UNC THREADS



NOTES:

1. MATERIALS AND FINISHES:

INSULATOR: GLASS FILLED POLYESTER PER MIL-M-24519 UL 94V-0, BLUE COLOR.

SHELLS: STEEL, TIN PLATED AND DIMPLED.

HOOD: STEEL, ZINC PLATE WITH DICHROMATE SEAL.

CABLE CLAMPS: STEEL, ZINC PLATE WITH DICHROMATE SEAL.

SCREWS: BRASS, ZINC PLATE WITH DICHROMATE SEAL.

CAPTIVE SCREW: BRASS, ZINC PLATE WITH DICHROMATE SEAL.

U-CLIP: SPRING STEEL, ZINC PLATE WITH DICHROMATE SEAL.


2. ELECTRICAL CHARACTERISTICS:

INSULATOR RESISTANCE: 5 G OHMS.

WORKING VOLTAGE: 300 V r.m.s.

3. TEMPERATURE RANGE: -55°C TO +125°C.

4. DIMENSIONS ARE IN INCHES [MILLIMETERS].

		POSITRONIC INDUSTRIES INC. www.connectpositronic.com		
		DECIMAL TOL. ± 0.015 [0.38]	SCALE N.T.S.	DRAWN BY YK
TITLE CBD3WK3M00HE2Z		DATE 3-1-05	DRAWING NUMBER SK6047	REV. A